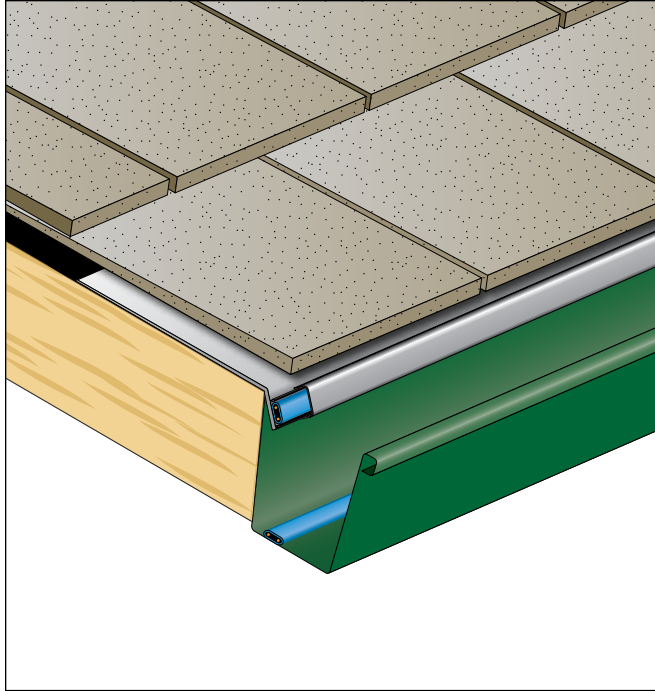




EDGE-CUTTER®

Roof De-icing System

Installation Instructions



General Information

EDGE-CUTTER is an aluminum flashing designed to be used as a heat conductive plate to aid in keeping snow and ice from roof edges. **The system is for use only with self-regulating heating cables certified for use in roof and gutter applications.** The system can also be used with hydronic heated fluid systems.

EDGE-CUTTER is designed to be applied between the roofing and the roof substrate. It can be used with various roofing products such as asphalt shingles, aluminum, steel* and even slate.

EDGE-CUTTER can be fastened using various methods including screws or adhesives depending on application and building materials.

The designer or installer should contact local building authorities and related authorities such as the electrical inspection department for final inspection approval.

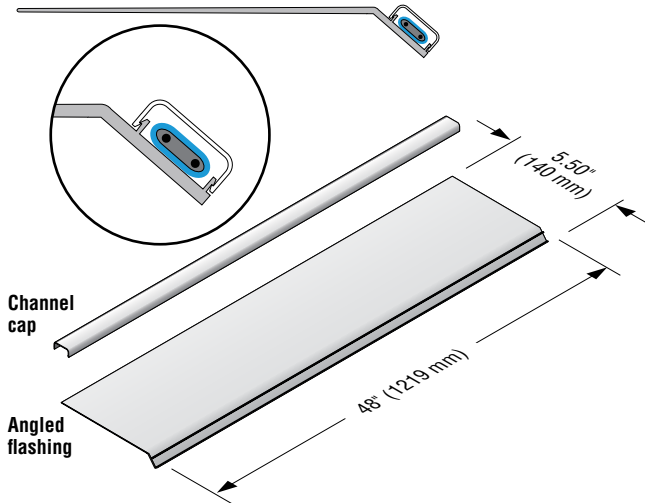
EDGE-CUTTER has many application variables so these recommendations are offered as a guide only.

Final installation, design and use of this product is at the sole discretion of user and Heat-Line does not warrant its performance in any manner.

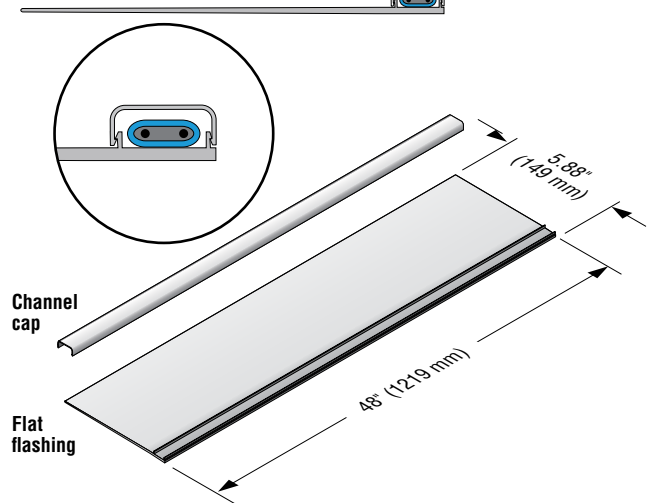
For technical support call Heat-Line Freeze Protection Systems at (800) 584-4944.

* EDGE-CUTTER can be ordered with a 6 mil urethane membrane applied to help prevent galvanic oxidation or corrosion when in contact with dissimilar metals.

PLD-EC
(Angled flashing)



PLD-ECF
(Flat flashing)



⚠ WARNING:

Fire and shock hazard.

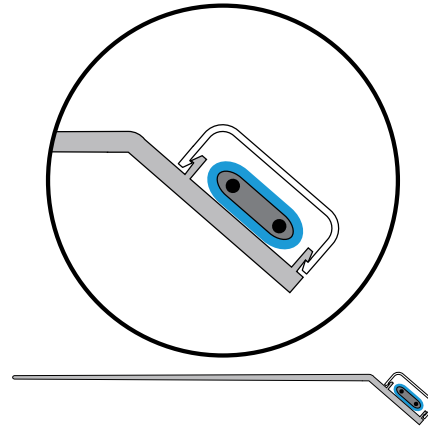
This component is installed in tandem with an electrical device which must be installed properly. Follow these important warnings to ensure proper operation and to prevent electrical or shock hazards.

- Do not use this product with constant wattage heating cable.
- The use of this product and its compatibility with various heating cable supplier is at the sole discretion of the system designer or installer.
- Any material that has been cut must be deburred so there are no sharp edges.
- Contact heating cable manufacturers for compatibility approval (for roof and gutter applications).
- Any heating cables used must be CSA and UL Certified.
- Follow heating cable manufacturer's instructions for installation of roof and gutter de-icing systems.
- When using heating cables other than Heat-Line's follow that manufacturer's installation instructions.

Specifications:

PLD-EC Model

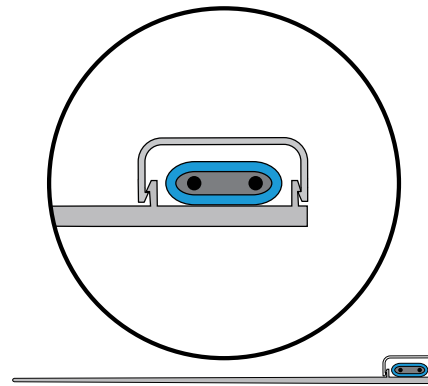
| | |
|--|---------------------|
| Length of flashing and channel cap | 48.00 in. (1219 mm) |
| Flashing depth from bend | 5.50 in. (140 mm) |
| Flashing channel width | 0.59 in. (15 mm) |
| Flashing channel depth w/channel cap installed | 0.26 in. (6.5 mm) |
| Material | Aluminum |
| Colour | Brushed Aluminum |
| Weight per flashing and channel cap | 2.7 lbs. (1.22 kg) |
| Uses | Leading roof edge |



Specifications:

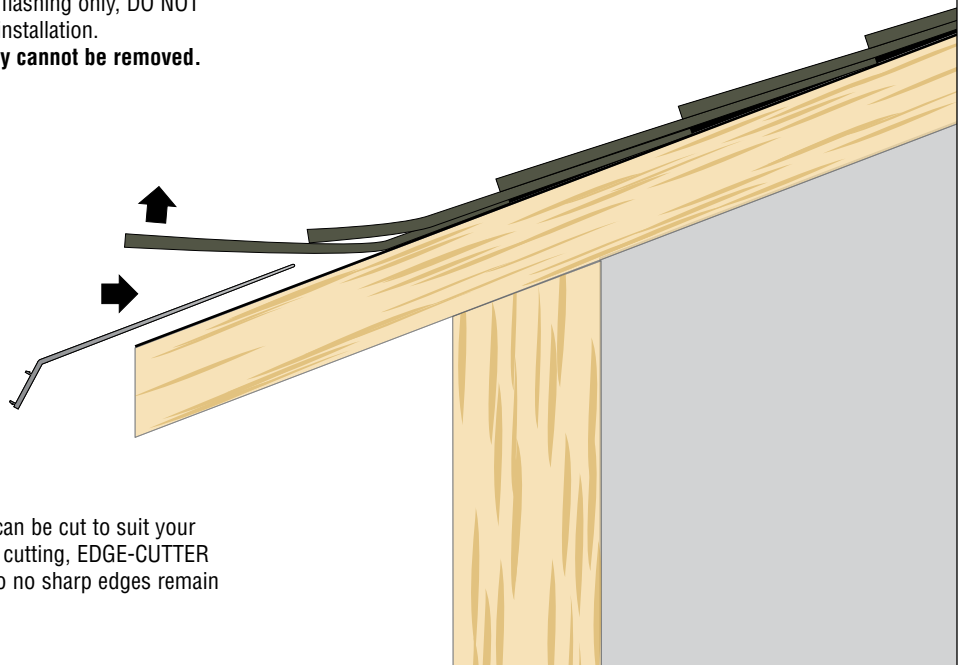
PLD-ECF Model

| | |
|--|--|
| Length of flashing and channel cap | 48.00 in. (1219 mm) |
| Flashing depth from channel | 5.88 in. (149 mm) |
| Flashing channel width | 0.59 in. (15 mm) |
| Flashing channel depth w/channel cap installed | 0.26 in. (6.5 mm) |
| Material | Aluminum |
| Colour | Brushed Aluminum |
| Weight per flashing and channel cap | 2.7 lbs. (1.22 kg) |
| Uses | Leading roof edge, valleys, and other flat areas of roof |



1

- Determine the layout desired and clear roof of leaves and other debris.
- Carefully peel back roofing material, exposing the roof substrate.
- Proceed to install the EDGE-CUTTER flashing only, DO NOT install channel caps until later in the installation.
Once channel caps are installed they cannot be removed.

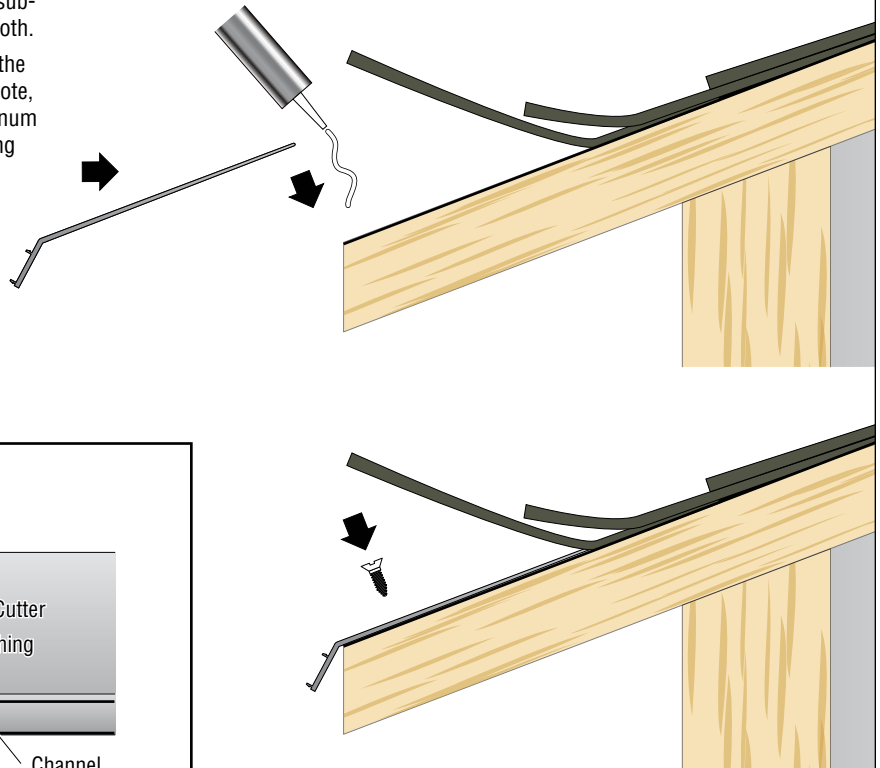
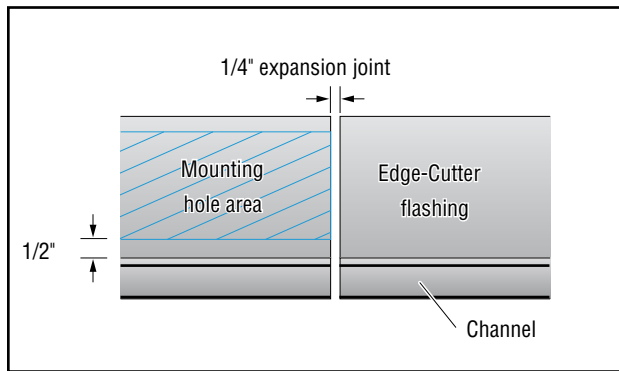


IMPORTANT: EDGE-CUTTER flashings can be cut to suit your specific roof installation situation. After cutting, EDGE-CUTTER flashings and caps must be deburred so no sharp edges remain that could damage the heating cable.

2

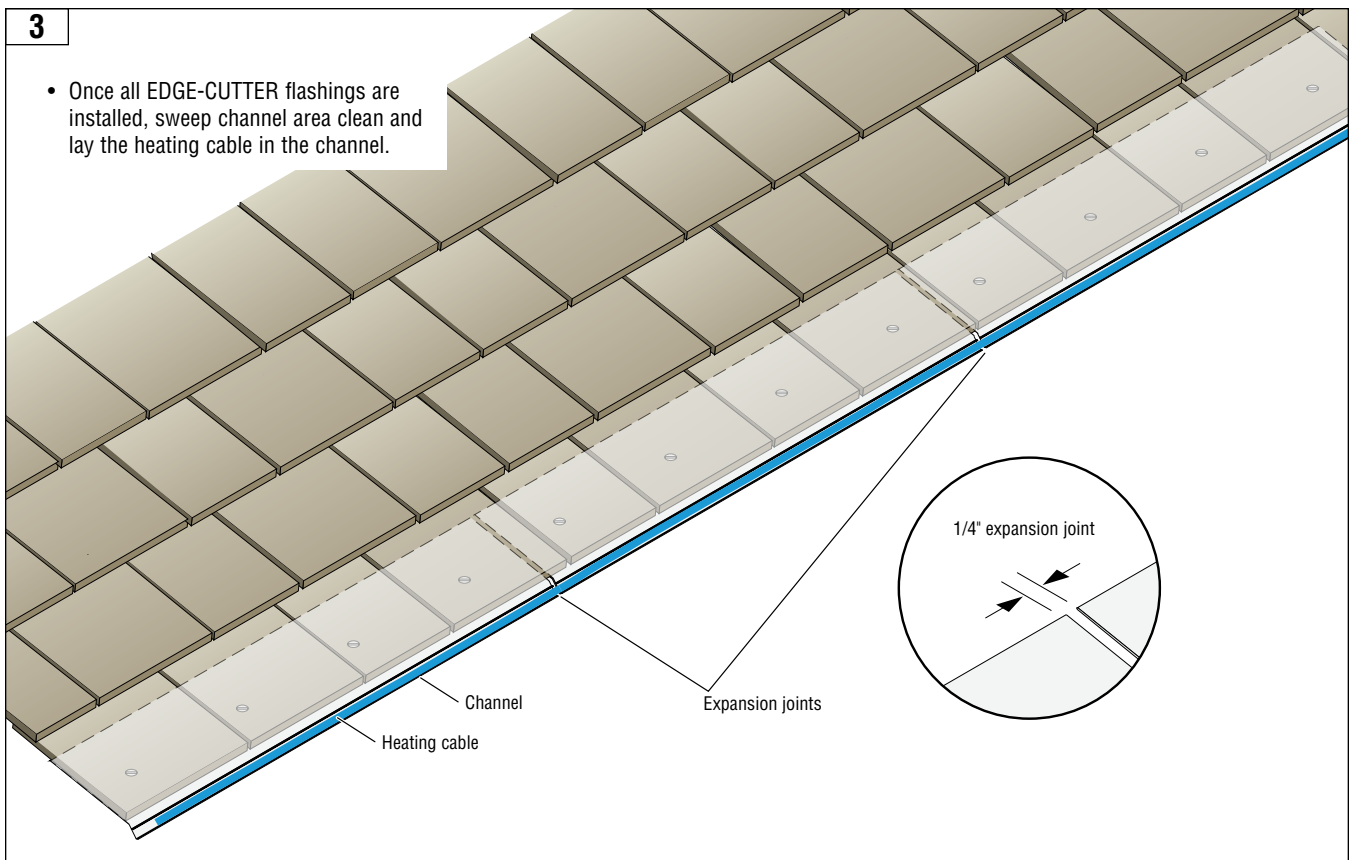
- Install the EDGE-CUTTER flashing to the roof substrate by using screws, flexible adhesives or both.
- Mounting holes may be installed anywhere in the mounting hole area in the illustration below. Note, a minimum of 1/2" from the bend in the aluminum flashing may not be compromised for mounting purposes.

IMPORTANT: Allow 1/4" spacing between flashings to allow for Expansion and contraction of the aluminum.



3

- Once all EDGE-CUTTER flashings are installed, sweep channel area clean and lay the heating cable in the channel.

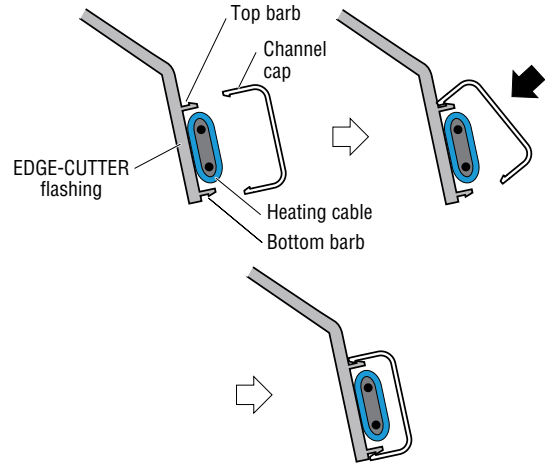


4

Installing the channel cap assembly

IMPORTANT: Once channel caps are installed they cannot be removed. Read instructions thoroughly.

- Make sure there is no debris in the barbed areas on the EDGE-CUTTER Flashing or channel cap.
- Use a brush or toothbrush to remove any debris. (Even the smallest stone or grain of sand must be removed as it is a very fine barb.)
- Lay the heating cable in the flashing channel.
- Position the channel cap by fitting the top barb first, then snap the channel cap down onto the bottom barb.
- TIP: Offset pump pliers work nicely to complete the channel cap installation. You can protect the channel cap from damage by tapping the teeth on the pump plier.



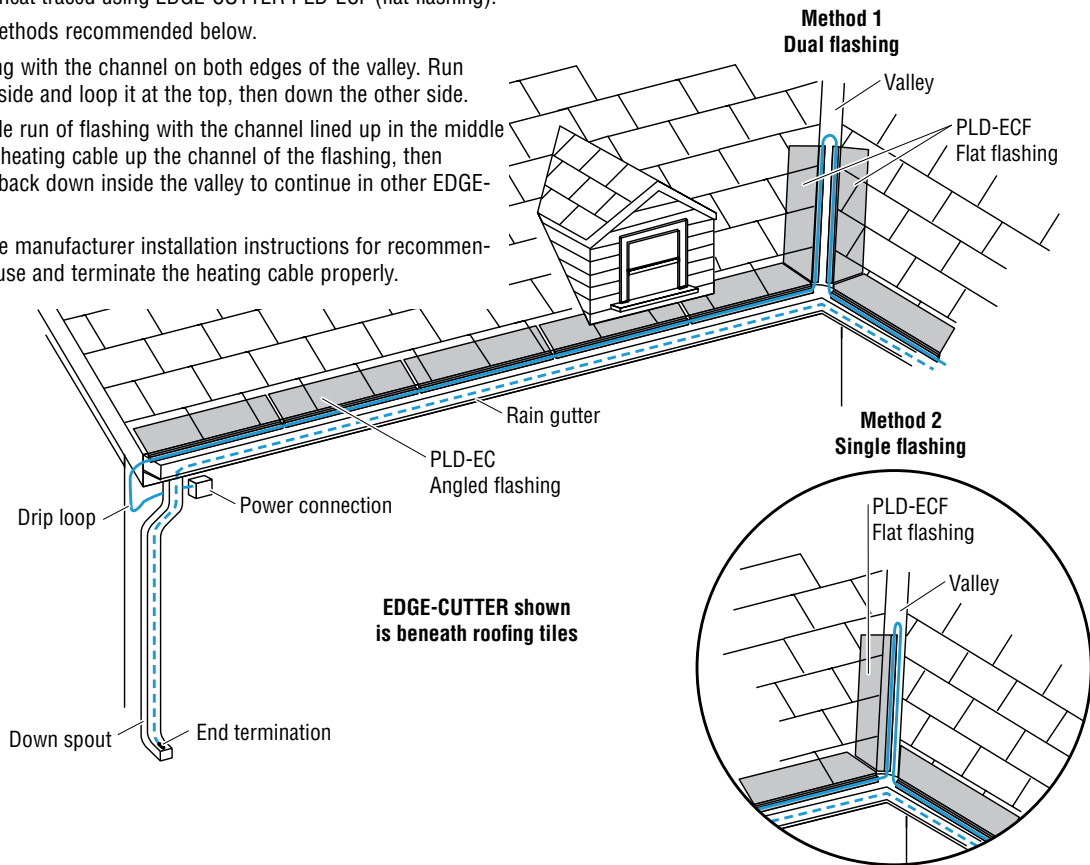
5

- Valleys can also be heat traced using EDGE-CUTTER PLD-ECF (flat flashing). Use one of the two methods recommended below.

Method 1: Use flashing with the channel on both edges of the valley. Run heating cable up one side and loop it at the top, then down the other side.

Method 2: Use a single run of flashing with the channel lined up in the middle of the valley. Run the heating cable up the channel of the flashing, then terminate it, or run it back down inside the valley to continue in other EDGE-CUTTER flashing.

- Follow heating cable manufacturer installation instructions for recommendations on how to use and terminate the heating cable properly.



Heat-Line Freeze Protection Systems

1095 Green Lake Road
 Algonquin Highlands, ON Canada
 KOM 1J1
 Tel: (705) 754-4545
 (800) 584-4944
 Fax: (705) 754-4567
 info@heatline.com
 www.heatline.com

Heat-Line and EDGE-CUTTER are registered trademarks of Heat-Line Corporation.
 USA Patent # 6,852,951

Important: All information, including illustrations, is believed to be reliable. Users, however, should independently evaluate the suitability of each product for their particular application. Heat-Line a Division of Christopher MacLean Ltd. makes no warranties as to the accuracy or completeness of the information, and disclaims any liability regarding its use. Heat-Line's only obligations are those in the Heat-Line Standard Terms and Conditions of Sale for this product, and in no case will Heat-Line be liable for any incidental, indirect, or consequential damages arising from the sale, resale, use, or misuse of the product. Specifications are subject to change without notice. In addition, Heat-Line reserves the right to make changes—without notification to Buyer—to processing or materials that do not affect compliance with any applicable specification.