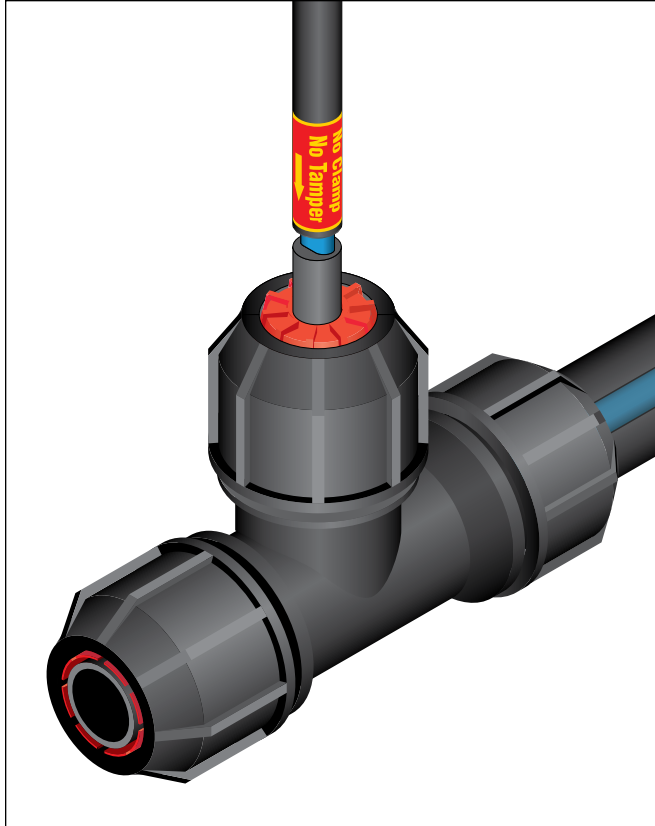




Retro-Line®

Heating Cable Extraction Method

Special Installation Instructions for Heating Cable Extraction and Entry Seal Adjustments



General Information

Retro-Line systems are freeze protected, potable, domestic water supply line systems adaptable to ALL areas where natural frost protection cannot be achieved. Heat-Line and Retro-Line products are uniquely adaptable to many types of applications.

In certain applications there may be a need to shorten the length of heating cable within the pipe. **At no point should this be carried out by cutting the heating cable.** The recommended method of reducing the internal length of heating cable is to extract the required length of reduction through the Retro-Line tee at the rubber entry seal grommet.

It is recommended that the Heat-Line installation be made by qualified tradesmen familiar with the product. This will ensure that optimum performance is achieved in each installation. Variables include: shallow burial in rocky geography - free air/above ground and thermostatic control.

Thermostatic controls are optional and should be considered for every application for further energy savings if applicable. See "Use of Thermostats" on back of this instruction.

A. This heating cable set shall be installed in accordance with the National Electrical Code (USA) or the Canadian Electrical Code, Part 1 and specifically section 62, Rule 62-312.

B. It is imperative that for all installations where the pipes are fully exposed to the outside that weatherproof insulation be used. (Wall thickness ½ inch minimum). Heat-Line offers closed cell foam types, foil/air bubble type and others. Other types of weather-proof insulations may also be used.

C. Heat-Line can be used even when there is no water in the pipe. Heat-Line WILL NOT melt your water pipe. In the event of power failure your system may freeze. The system will however re energize immediately following power restoration and will thaw out again. In most cases no damage to pipes will be encountered.

Heat-Line is a technically advanced product. Handle it with proper care and be sure not to damage the outer sheaths or jackets of the cable. Read the Safety Instructions and Installation Instructions completely before installing this product.

Approvals



Usage P and X
Installation Type D USA

NSF/ANSI 61

⚠ WARNING:

Important Safety Instructions and Rules for safe Installation

- Read these rules and instructions carefully. Failure to follow them could result in serious bodily injury and/or property damage.
- Before installing this product have the electrical outlet checked by an electrician to make sure it is properly installed and grounded.
- Before installing or servicing your Heat-Line BE CERTAIN that the power source is disconnected.

- Do not use extension cords.
- Never tamper with or alter the electrical apparatus associated with your Heat-Line system.
- The cable jacket must not be cut, nicked, or worn down, therefore:
 - Never cut the cable's outer jacket.
 - Do not install the cable where objects might hit it or cut it or where it might be damaged by rubbing against rough surfaces.

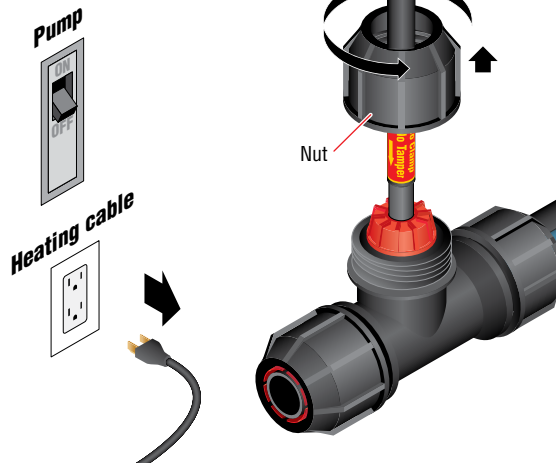
- Never attempt to splice or repair a damaged cable. Replace it with a new unit. The system is not designed to be repaired and to do so may create a danger of fire or shock.

WHEN PERFORMING WORK OR REPAIRS ON YOUR WATER SYSTEM BE SURE TO UNPLUG YOUR HEAT-LINE SYSTEM FROM THE POWER SUPPLY

Important: For the Heat-Line warranty to be valid, you must comply with all the requirements outlined in these guidelines.

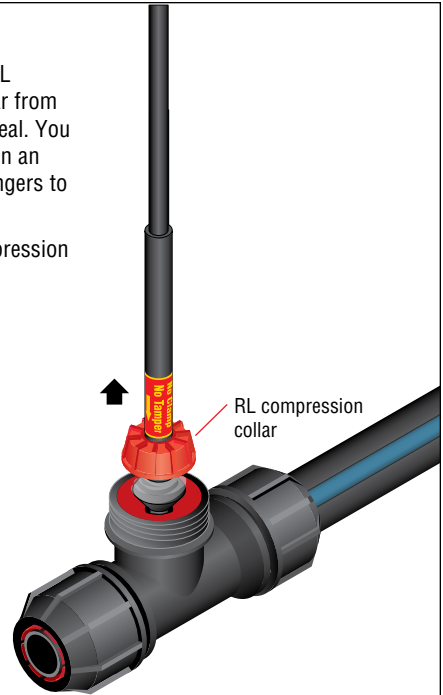
1

- Prior to beginning the adjustment process ensure that your water supply system is turned off and water is unpressurized and drained.
- Unplug or turn off power to your Heat-Line product.
- Loosen and remove the nut where electrical exists the tee. Slide nut on the cord so it is out of the way.



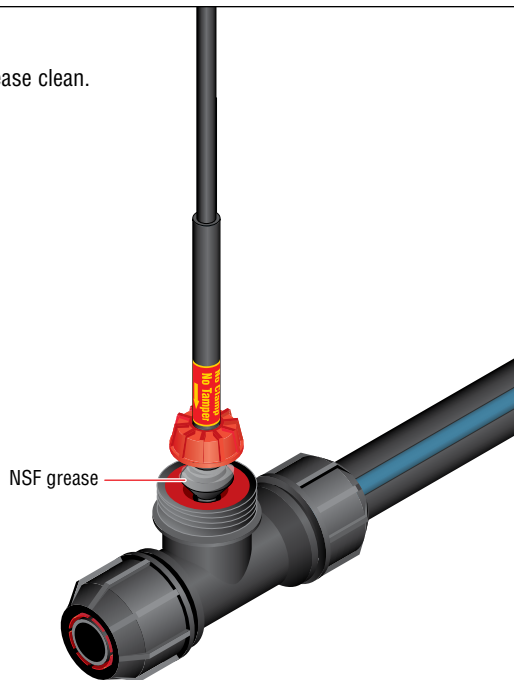
2

- Remove the red RL compression collar from the rubber entry seal. You may need to pry on an angle with your fingers to remove.
- Slide the RL compression collar up slightly.



3

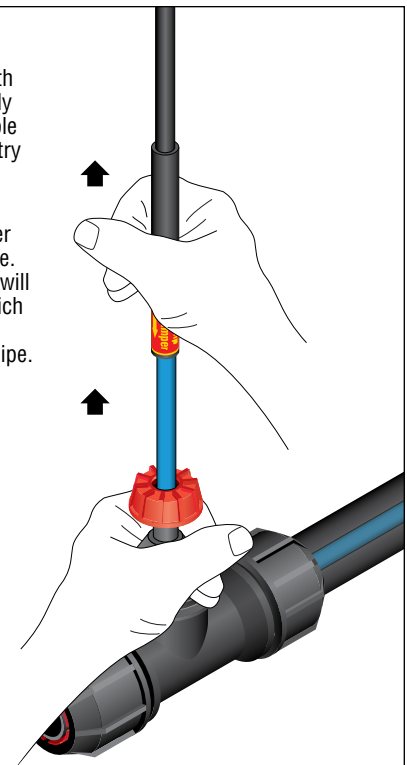
- Wipe grease clean.



4

- Adjust the heater length accordingly by carefully sliding the heating cable through the rubber entry seal grommet.

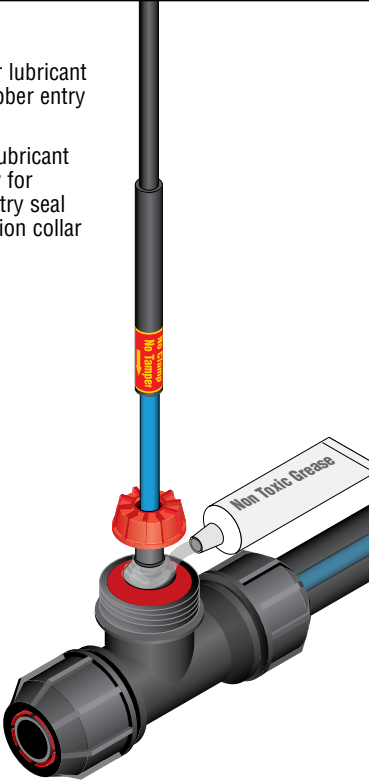
NOTE: 4-5" has been extracted from the rubber entry seal in this example. The amount you extract will equal the amount by which you reduce the heating cable length within the pipe.



5

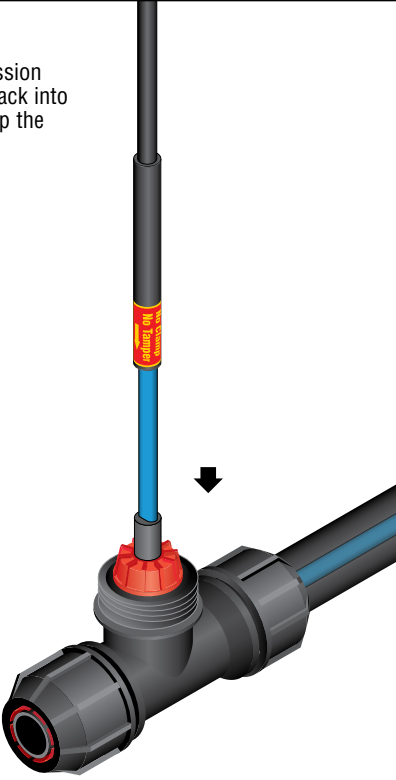
- Apply non-toxic grease or lubricant to the tapered edge of rubber entry seal grommet.

Note: Non-toxic grease or lubricant applied is designed to allow for slippage between rubber entry seal grommet and RL compression collar to prevent cable twisting.



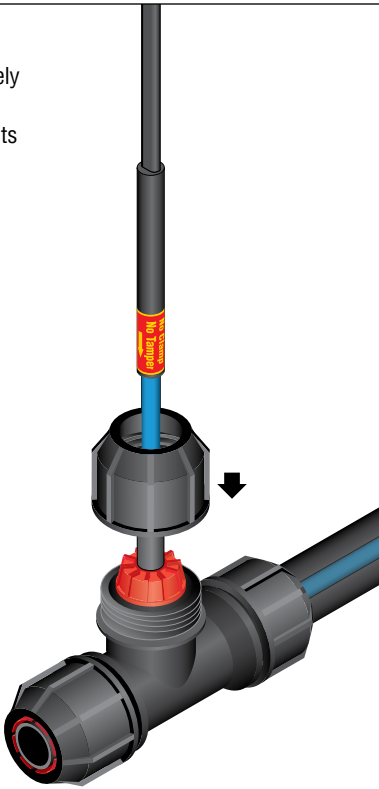
6

- Bring back RL compression collar so that it seats back into its original position atop the entry seal grommet.



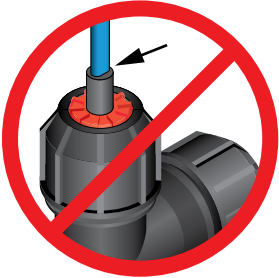
7

- Bring back nut and loosely start the threads.
- Make sure all components are seated correctly.

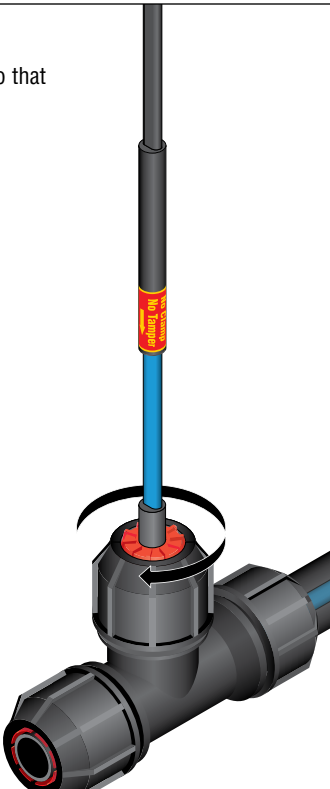


8

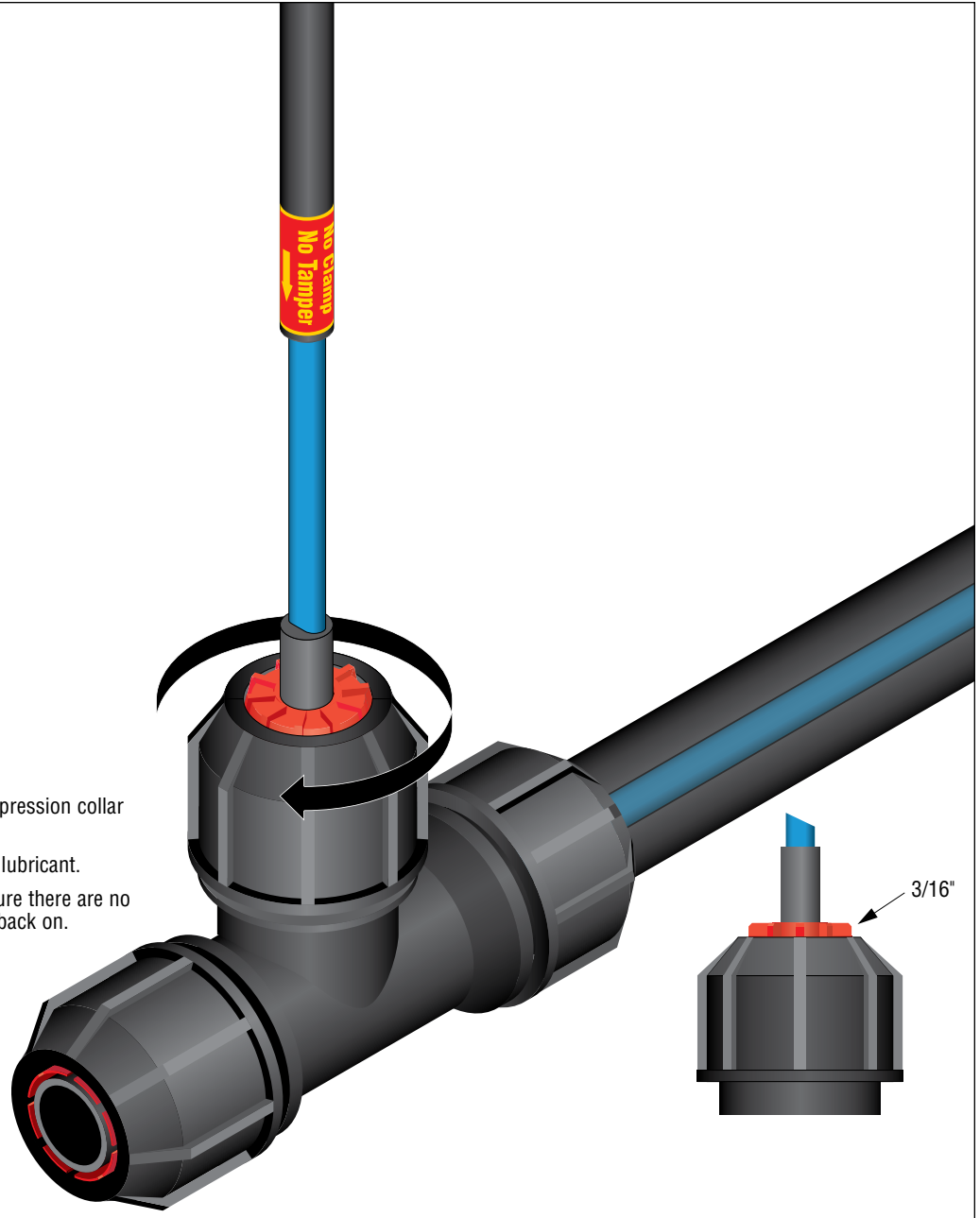
NOTE: Cable must be oriented so that when bent it will curve naturally.



NOTE: Tighten and ensure that the entry seal grommet is not twisting.



9



- Tighten nut until red RL compression collar stands proud 3/16".
- Wipe clean excess grease or lubricant.
- Adjustment is complete, ensure there are no leaks once system is turned back on.

Heat-Line Freeze Protection Systems

1095 Green Lake Road
 Algonquin Highlands, ON Canada
 KOM 1S0
 Tel: 1-705-754-4545
 1-800-584-4944
 Fax: 1-705-754-4567
 info@heatline.com
 www.heatline.com

Heat-Line and Retro-Line are registered trademarks of Heat-Line Corporation.
 Philmac is a registered trademark of Philmac Pty Ltd.

Important: All information, including illustrations, is believed to be reliable. Users, however, should independently evaluate the suitability of each product for their particular application. Heat-Line a Division of Christopher MacLean Ltd. makes no warranties as to the accuracy or completeness of the information, and disclaims any liability regarding its use. Heat-Line's only obligations are those in the Heat-Line Standard Terms and Conditions of Sale for this product, and in no case will Heat-Line be liable for any incidental, indirect, or consequential damages arising from the sale, resale, use, or misuse of the product. Specifications are subject to change without notice. In addition, Heat-Line reserves the right to make changes—without notification to Buyer—to processing or materials that do not affect compliance with any applicable specification.