

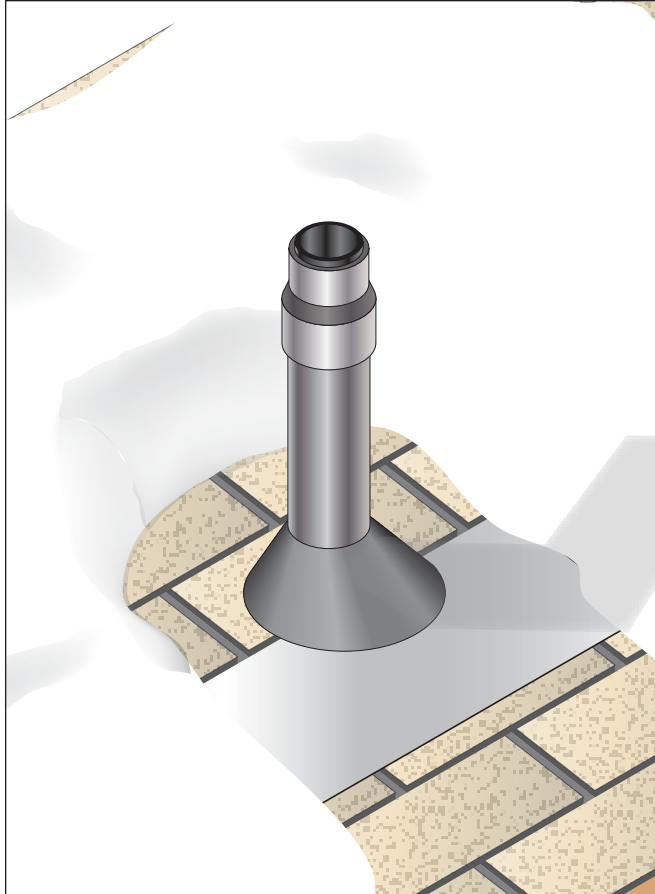


ArcticVent®-HT

Advanced Heat Tube Vent Freeze Protection

Patents Pending

Installation Instructions



Description

ArcticVent-HT is a non-electric, non-hydronic plumbing vent freeze protection system that employs a proprietary heat tube technology which transfers warm energy from the inside lower vent pipe to the upper vent rim using special refrigerants and capillary process.

The ArcticVent-HT heat tube simply slides into existing 3 inch plumbing ABS and PVC vent stacks without their removal. No adhesives or solvents are required. The connection is intentionally designed to be detachable, allowing the ArcticVent-HT to remain serviceable.

Prolonged cold temperatures cause plumbing vent stacks to ice up and form a blockage as warm moist air rises, condenses and freezes. ArcticVent-HT eliminates this ice blockage where it exits the roof of a building promoting healthier living conditions.

Designed for working ambient temperatures ranging from -58F (-50C) to 194F (90C).

IMPORTANT USAGE GUIDELINES - The ArcticVent-HT is a technically advanced product. To ensure the safety and optimal performance of this product, please adhere to the following instructions.

- **Never cut or drill any parts of this product, as altering its structure may compromise its integrity and pose safety risks.**
- **Avoid exposing the product to open flames, sparks, or any potential sources of ignition, as it is not fire-resistant.**
- **Proper disposal is crucial; adhere to local regulations and environmentally responsible practices, and do not incinerate the product, as it may release harmful substances. For further MSDS information or proper disposal directions please contact Heat-Line Freeze Protection Systems at 1-800-584-4944.**

Failure to comply with these guidelines may result in product malfunction, personal injury, or environmental harm.

Read the Safety Instructions and Installation Instructions completely before installing this product.

For technical support call Heat-Line Freeze Protection Systems at 1-800-584-4944.

This product must be installed in accordance with governing plumbing and building authorities.

Table of Contents

General Information	1
Warnings	1
Kit Contents	2
ArcticVent-HT 24" Installation	3
ArcticVent-HT 42" Installation	4
Limited Warranty	5
Extended Warranty Application Form	6

WARNING:

Important Safety Instructions and Rules for Safe Installation and Operation

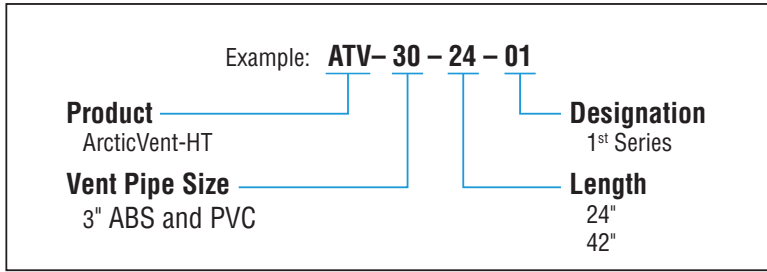
- A. Read these rules and instructions carefully. Failure to follow them could result in serious bodily injury and/or property damage.
- B. Check your local building and plumbing codes before installing. You must comply with their rules.

C. NEVER TAMPER WITH OR ALTER THE OUTER HEAT TUBE CASING AND PLUMBING ADAPTER ASSOCIATED WITH YOUR ARCTICVENT-HT SYSTEM.

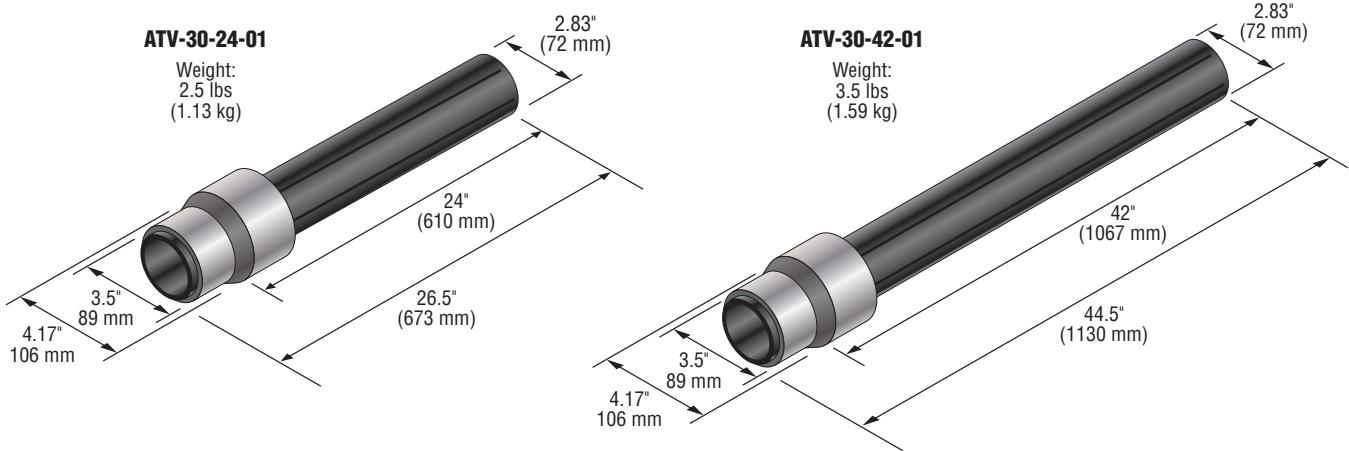
- D. Component approvals and performance are based on the use of Heat-Line specified parts only. Do not use substitute parts, adhesives or solvents.
- E. Proper completion of this installation may require the expertise of a qualified plumbing, mechanical, and or building trade.

- F. Check unoccupied residences regularly to ensure that all systems are operating properly.
- G. Do not install the ArcticVent-HT in a manner that could render the system non-serviceable.
- H. Designed for working ambient temperatures ranging from -58F (-50C) to 194F (90C).
- I. Do not expose to temperatures above 194F (90C).

Product Code



Specifications



Note: ArcticVent-HT is designed to interface directly with a 3" ABS and PVC vent only. Adapters may be available for other pipe types and sizes. Always default to the ATV-30-42-01 model of the ArcticVent-HT as long as your existing plumbing vent layout can accommodate the length.

Kit Contents

ATV-30-24-01

Qty	Description
1	Arctic-Vent-HT, Heated 3" Plumbing Vent for ABS and PVC, 24" Long

Optional Accessories

INSUL-3.00	Closed cell polyethylene insulation sleeve for 3" pipes (6' long, 3½" ID, ¾" thick wall)
INSUL-PAD	Elastomeric flexible closed-cell insulation, ½" (12.5mm) thick, 6" (152mm) wide, 10' (3m) long

ATV-30-42-01

Qty	Description
1	Arctic-Vent-HT, Heated 3" Plumbing Vent for ABS and PVC, 42" Long

Optional Accessories

INSUL-3.00	Closed cell polyethylene insulation sleeve for 3" pipes (6' long, 3½" ID, ¾" thick wall)
INSUL-PAD	Elastomeric flexible closed-cell insulation, ½" (12.5mm) thick, 6" (152mm) wide, 10' (3m) long

Package Weight and Dimensions

ATV-30-24-01

Package Length	31" (787 mm)
Package Width	7" (178 mm)
Package Height	7" (178 mm)
Package Weight	4 lbs (1.81 kg)

ATV-30-42-01

Package Length	48" (1219 mm)
Package Width	7" (178 mm)
Package Height	7" (178 mm)
Package Weight	6 lbs (2.72 kg)

ArcticVent-HT 24" Installation

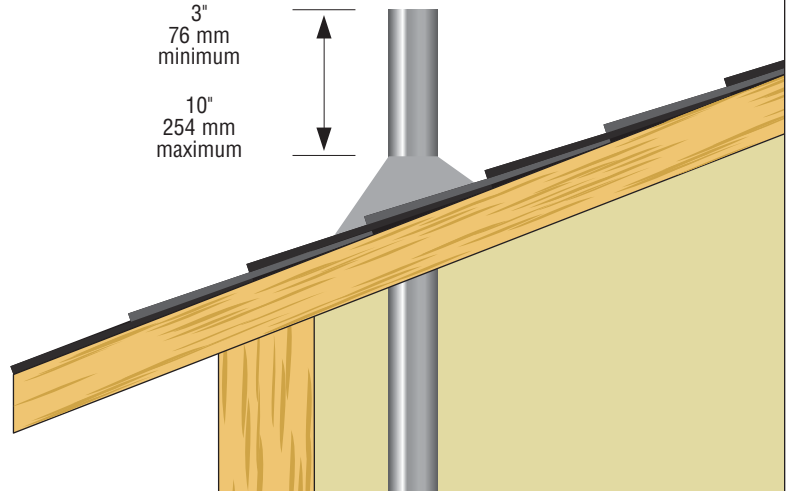
1

- For the ArcticVent-HT to fit securely onto the existing vent pipe, it is crucial that the vent pipe extends at least 3 inches above the flashing.
- To ensure optimal performance, the height of the existing vent pipe cannot exceed 10 inches. Adhere to all local building and plumbing codes, you must comply with their specific requirements.

Note: The greater the length of the ArcticVent-HT inserted below the roof line, the greater performance.

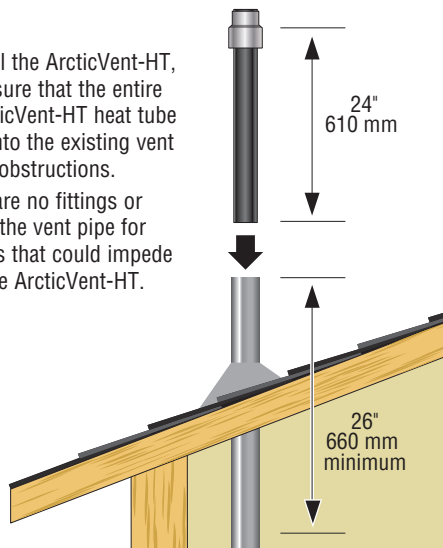
3"
76 mm
minimum

10"
254 mm
maximum



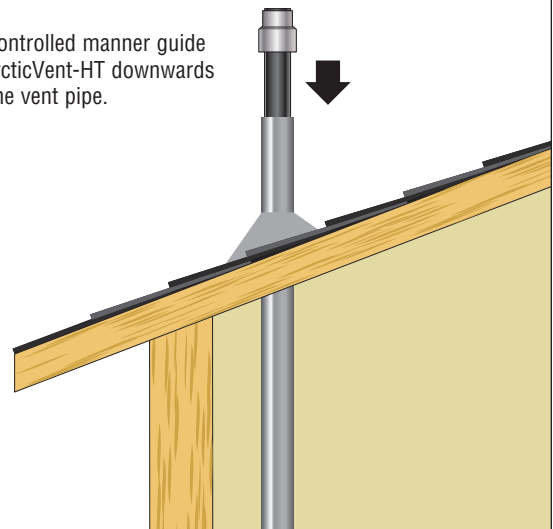
2

- To properly install the ArcticVent-HT, it is critical to ensure that the entire length of the ArcticVent-HT heat tube can be inserted into the existing vent pipe without any obstructions.
- Verify that there are no fittings or blockages within the vent pipe for the first 26 inches that could impede the passage of the ArcticVent-HT.



3

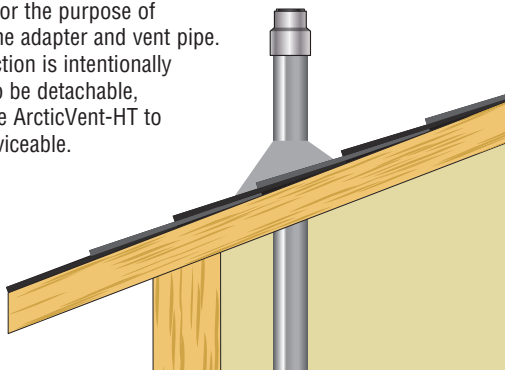
- In a controlled manner guide the ArcticVent-HT downwards into the vent pipe.



4

- Ensure alignment of the ArcticVent-HT adapter and vent pipe, and then with consistent and controlled force push the adapter down over the vent to obtain a snug and firm connection.

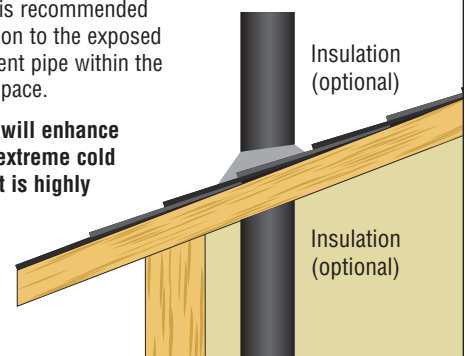
Note: Do not use solvents or adhesives for the purpose of attaching the adapter and vent pipe. The connection is intentionally designed to be detachable, allowing the ArcticVent-HT to remain serviceable.



5

- Apply insulation to fully cover the entire exposed length of both the vent pipe and ArcticVent-HT (optional, but highly recommended). It may be necessary to trim the insulation sleeve to the appropriate length, as each exposed section of the vent pipe can vary in height.
- If accessible, it is recommended to apply insulation to the exposed section of the vent pipe within the unheated attic space.

Note: Insulation will enhance performance in extreme cold and wind chill. It is highly recommended.



ArcticVent-HT 42" Installation

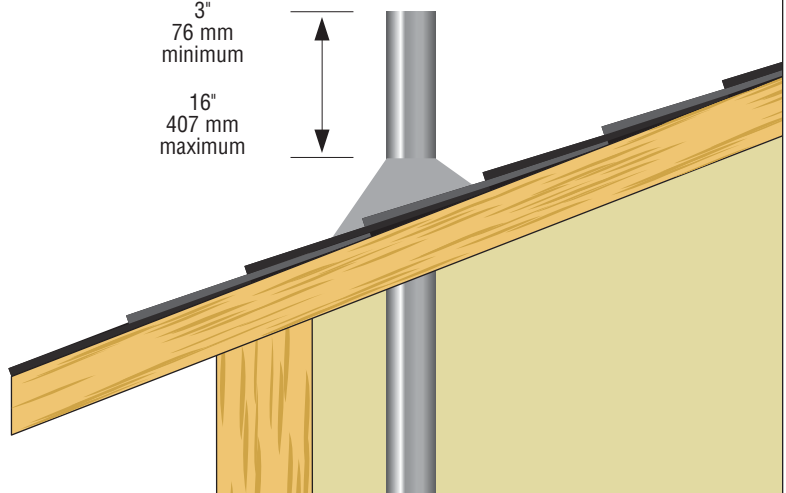
1

- For the ArcticVent-HT to fit securely onto the existing vent pipe, it is crucial that the vent pipe extends at least 3 inches above the flashing.
- To ensure optimal performance, the height of the existing vent pipe cannot exceed 16 inches. Adhere to all local building and plumbing codes, you must comply with their specific requirements.

Note: The greater the length of the ArcticVent-HT inserted below the roof line, the greater performance.

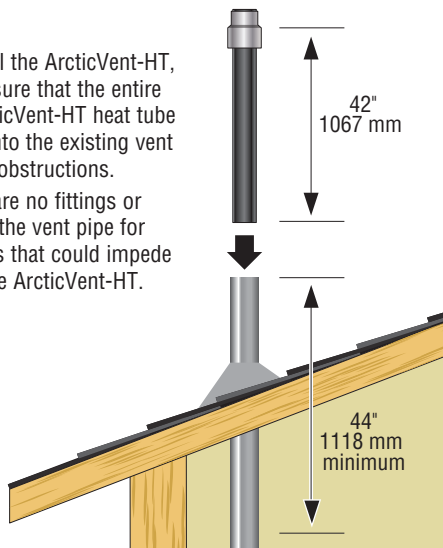
3"
76 mm
minimum

16"
407 mm
maximum



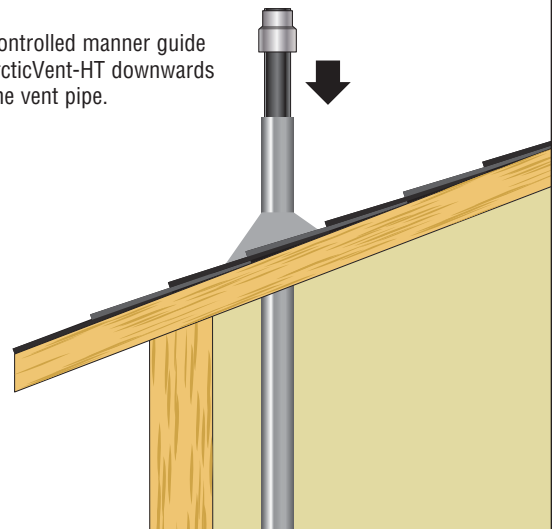
2

- To properly install the ArcticVent-HT, it is critical to ensure that the entire length of the ArcticVent-HT heat tube can be inserted into the existing vent pipe without any obstructions.
- Verify that there are no fittings or blockages within the vent pipe for the first 44 inches that could impede the passage of the ArcticVent-HT.



3

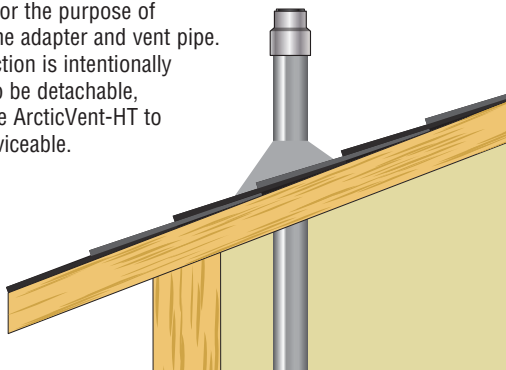
- In a controlled manner guide the ArcticVent-HT downwards into the vent pipe.



4

- Ensure alignment of the ArcticVent-HT adapter and vent pipe, and then with consistent and controlled force push the adapter down over the vent to obtain a snug and firm connection.

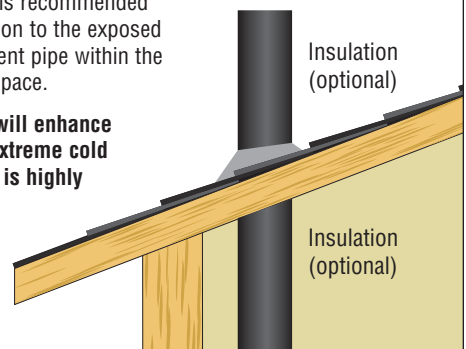
Note: Do not use solvents or adhesives for the purpose of attaching the adapter and vent pipe. The connection is intentionally designed to be detachable, allowing the ArcticVent-HT to remain serviceable.



5

- Apply insulation to fully cover the entire exposed length of both the vent pipe and ArcticVent-HT (optional, but highly recommended). It may be necessary to trim the insulation sleeve to the appropriate length, as each exposed section of the vent pipe can vary in height.
- If accessible, it is recommended to apply insulation to the exposed section of the vent pipe within the unheated attic space.

Note: Insulation will enhance performance in extreme cold and wind chill. It is highly recommended.



Limited Warranty

During the time periods and subject to the conditions hereinafter set forth, Heat-Line will repair or replace to the original user any portion of your ArcticVent-HT product which proves defective in materials or workmanship of Heat-Line. Contact Heat-Line or your installer for warranty service.

At all times Heat-Line shall have and possess the sole right and option to determine whether to repair or replace defective equipment, parts or components. **Damage due to natural events or conditions beyond the control of Heat-Line are NOT COVERED BY THIS WARRANTY.**

STANDARD WARRANTY PERIOD: 60 months from date of purchase or 63 months from date of manufacture, whichever ever occurs first.

EXTENDED WARRANTY PERIOD: 120 months from date of purchase or 123 months from date of manufacture, whichever ever occurs first.

ACCESSORIES, COMPONENTS, ELECTRONICS: Not manufactured by Heat-Line, are warranted only to the extent of original manufacturer's warranty.

LABOUR, COSTS, ETC.: Heat-Line shall in **NO EVENT** be responsible or liable for the cost of field labour or other charges incurred by any customer in removing and/or reaffixing any Heat-Line product, part or component thereof.

THIS WARRANTY WILL NOT APPLY:

- (a) to defects or malfunctions resulting from failure to properly install, operate or maintain the unit in accordance with printed instructions provided,
- (b) to failures resulting from abuse, accident or negligence;
- (c) to normal maintenance services and
- (d) to parts not used in accordance with applicable local codes, ordinance and good trade practices;
- (e) if the unit is moved from its original installation location or
- (f) if the unit is used for purposes other than for what it was designed and manufactured,
- (g) to the integral ground fault device and related electronics.

PRODUCT IMPROVEMENTS: Heat-Line reserves the right to change or improve its products or any component thereof without being obligated to provide such a change or improvement for units sold and/or shipped prior to such change or improvement.

WARRANTY EXCLUSIONS: As to any Heat-Line product after the expiration of the time period of the warranty applicable thereto as set forth above. There will be no warranties including any implied warranties of merchantability or fitness for any particular purpose. No warranties or representations at any time made by any representative of Heat-Line, shall vary or expand the provisions hereof.

LIABILITY LIMITATION: In no event shall Heat-Line be liable or responsible for consequential, incidental or special damages resulting from or related in any manner to any Heat-Line product or parts thereof. In the absence of suitable proof of the purchase date, the effective date of this warranty will be based upon the date of manufacture plus 90 days.

Heat-Line Freeze Protection Systems

1095 Green Lake Road
Algonquin Highlands, ON Canada
KOM 1S0
Tel: 1-705-754-4545
1-800-584-4944
Fax: 1-705-754-4567
info@heatline.com
www.heatline.com

Heat-Line and ArcticVent are registered trademarks of Heat-Line Corporation.

Important: All information, including illustrations, is believed to be reliable. Users, however, should independently evaluate the suitability of each product for their particular application. Heat-Line a Division of Christopher MacLean Ltd. makes no warranties as to the accuracy or completeness of the information, and disclaims any liability regarding its use. Heat-Line's only obligations are those in the Heat-Line Standard Terms and Conditions of Sale for this product, and in no case will Heat-Line be liable for any incidental, indirect, or consequential damages arising from the sale, resale, use, or misuse of the product. Specifications are subject to change without notice. In addition, Heat-Line reserves the right to make changes—without notification to Buyer—to processing or materials that do not affect compliance with any applicable specification.



ArcticVent® -HT Warranty Form

CONGRATULATIONS!

You have just purchased the most advanced internal freeze-protection system available on the market, backed by the finest warranty offered in the industry. Your ArcticVent-HT system comes with a standard 5 year limited warranty with an optional 10 year limited warranty available.

~ The warranty applies only to the original purchaser of the product and is not transferable at any time for any reason. The warranty form must be filled out and returned to Heat-Line within 6 months of invoice date or unit manufactured date plus 9 months to be eligible for the 10 year extended warranty. ~

OWNER MAILING ADDRESS

Name _____
 Address _____

 City _____
 Prov/State _____ Postal/ZIP _____
 Country Canada USA Other: _____
 Home Phone _____
 Email _____

INSTALLATION ADDRESS (if different than mailing)

Name _____
 Address _____

 City _____
 Prov/State _____ Postal/ZIP _____
 Country _____
 Work/Cell _____

PRODUCT INFORMATION

Product Cat. # _____
 Serial # _____

Installation Type:
 Residential
 Commercial
 Industrial
 Other: _____

WARRANTY INFORMATION

5 Year Limited Warranty: **INCLUDED!**

10 Year Limited Warranty: \$95.00

PAYMENT DETAILS FOR 10 YEAR LIMITED WARRANTY

Taxes and Currency

If Canadian Address:	Subtotal: _____
Provincial Tax %: _____	Tax Due: _____
Total in CDN Currency: <input style="width: 100px; height: 20px;" type="text"/>	

PAYMENT METHOD

Cheque

Enclose and make out to Heat-Line for full amount

Credit Card: Mastercard or Visa

Name on Card: _____

Card Number: _____

Expiration Date: ____ ____

LIMITED WARRANTY

During the time periods and subject to the conditions hereinafter set forth. Heat-Line will repair or replace to the original user any portion of your ArcticVent-HT product which proves defective in materials or workmanship of Heat-Line. Contact Heat-Line or your installer for warranty service.

At all times Heat-Line shall have and possess the sole right and option to determine whether to repair or replace defective equipment, parts or components. **Damage due to natural events or conditions beyond the control of Heat-Line are NOT COVERED BY THIS WARRANTY.**

STANDARD WARRANTY PERIOD: 60 months from date of purchase or 63 months from date of manufacture, whichever ever occurs first.

EXTENDED WARRANTY PERIOD: 120 months from date of purchase or 123 months from date of manufacture, whichever ever occurs first.

ACCESSORIES, COMPONENTS, ELECTRONICS: Not manufactured by Heat-Line, are warranted only to the extent of original manufacturer's warranty.

LABOUR, COSTS, ETC.: Heat-Line shall in **NO EVENT** be responsible or liable for the cost of field labour or other charges incurred by any customer in removing and/or reaffixing any Heat-Line product, part or component thereof.

THIS WARRANTY WILL NOT APPLY:

(a) to defects or malfunctions resulting from failure to properly install, operate or maintain the unit in accordance with printed instructions provided,

- (b) to failures resulting from abuse, accident or negligence;
- (c) to normal maintenance services and
- (d) to parts not used in accordance with applicable local codes, ordinance and good trade practices;
- (e) if the unit is moved from its original installation location or
- (f) if the unit is used for purposes other than for what it was designed and manufactured,
- (g) to the integral ground fault device and related electronics.

PRODUCT IMPROVEMENTS: Heat-Line reserves the right to change or improve its products or any component thereof without being obligated to provide such a change or improvement for units sold and/or shipped prior to such change or improvement.

WARRANTY EXCLUSIONS: As to any Heat-Line product after the expiration of the time period of the warranty applicable thereto as set forth above. There will be no warranties including any implied warranties of merchantability or fitness for any particular purpose. No warranties or representations at any time made by any representative of Heat-Line, shall vary or expand the provisions hereof.

LIABILITY LIMITATION: In no event shall Heat-Line be liable or responsible for consequential, incidental or special damages resulting from or related in any manner to any Heat-Line product or parts thereof. In the absence of suitable proof of the purchase date, the effective date of this warranty will be based upon the date of manufacture plus 90 days.

PROOF OF PURCHASE

If a proof of purchase copy is submitted with this warranty application form, the warranty period will be effective as of invoice date. In the absence of suitable proof of purchase, the effective date of this warranty will be based upon the date of unit manufacture plus 3 months.

Proof of purchase (invoice) attached: Yes No

By signing below you acknowledge you have read and understand the full limited warranty document.

Signed: _____

Dated: _____

The warranty form must be filled out and returned to Heat-Line within 6 months of invoice date or unit manufactured date plus 9 months to be eligible for 10 year extended warranty.

Heat-Line and ArcticVent are registered trademarks of Heat-Line Corporation.

Heat-Line Freeze Protection Systems

1095 Green Lake Road / Algonquin Highlands, / KOM 1S0 / info@heatline.com / www.heatline.com
ON Canada