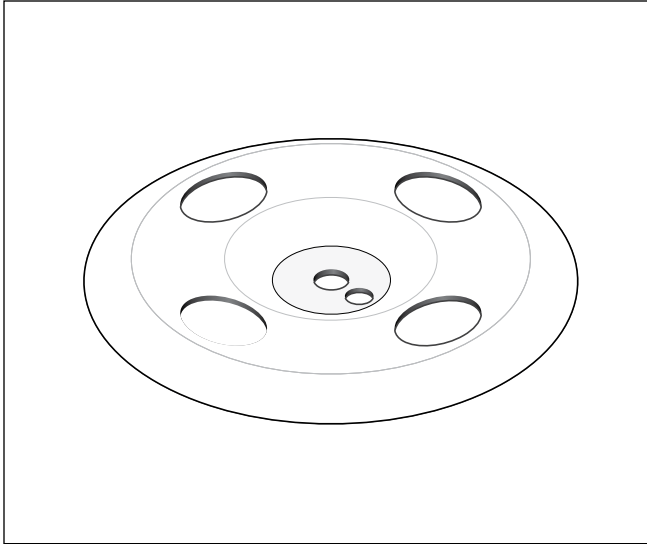




# Foot Valve Wheel Stand

## CONCEPTUAL DRAWING



### Description

Lake bottom support for intake supply line and foot valve assembly.  
For technical support call Heat-Line at (800) 584-4944.

### Kit Contents

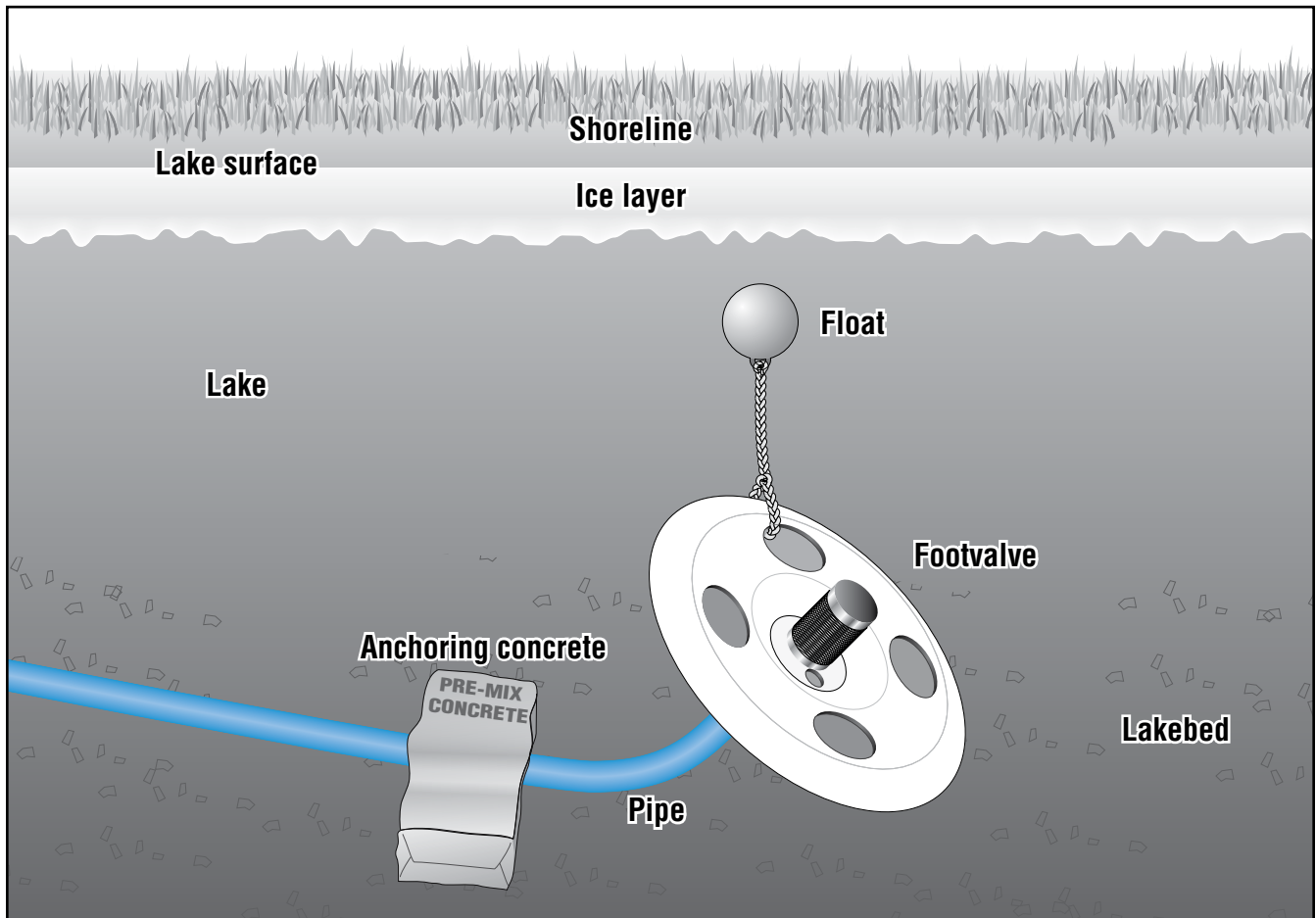
- Lake bottom support

### Tools Required

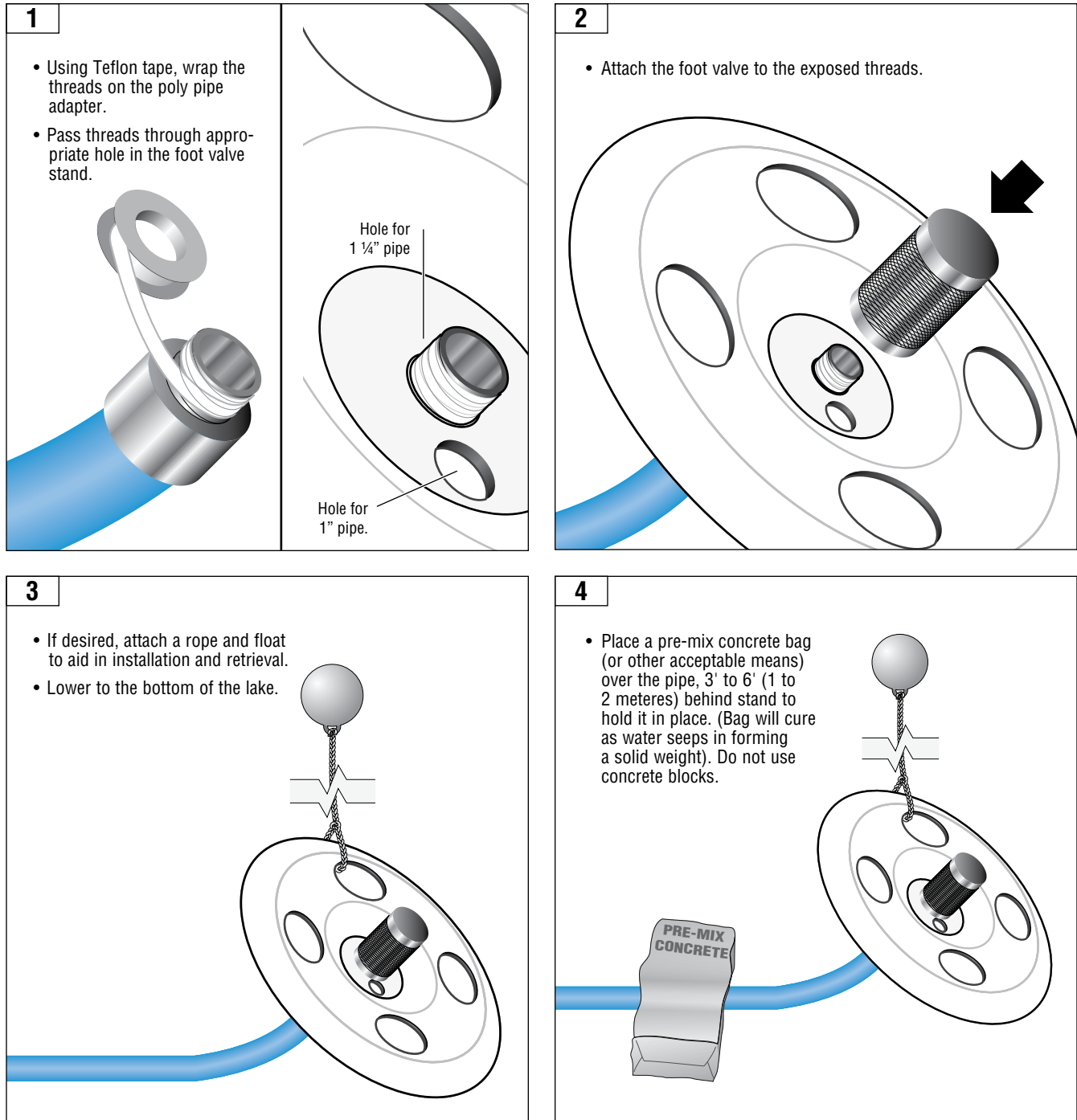
- Pump plier (channel lock)

### Additional Materials Required

- Foot valve
- Male adapter (consult Heat-Line)
- One bag of pre-mix concrete
- Appropriate length of rope (optional)
- Teflon® tape
- Threaded poly pipe adapter (consult Heat-Line)
- Float (optional)



## Foot Valve Wheel Stand Installation Instructions



Heat-Line is a registered trademark of Heat-Line Corporation.

**Heat-Line**  
 A division of Christopher MacLean Ltd.  
 1095 Green Lake Road  
 Carnarvon, ON Canada  
 KOM 1J0  
 Tel: (705) 754-4545  
 (800) 584-4944  
 Fax: (705) 754-4567  
 info@heatline.com  
 www.heatline.com

**Important:** All information, including illustrations, is believed to be reliable. Users, however, should independently evaluate the suitability of each product for their particular application. Heat-Line a Division of Christopher MacLean Ltd. makes no warranties as to the accuracy or completeness of the information, and disclaims any liability regarding its use. Heat-Line's only obligations are those in the Heat-Line Standard Terms and Conditions of Sale for this product, and in no case will Heat-Line be liable for any incidental, indirect, or consequential damages arising from the sale, resale, use, or misuse of the product. Specifications are subject to change without notice. In addition, Heat-Line reserves the right to make changes—without notification to Buyer—to processing or materials that do not affect compliance with any applicable specification.