

## Packing List

Part Number	Description
17816	Installation Sheet (this document)
11351	GIT-1 Gutter Deicing Sensor and Clamps
23864	Moisture Sensor Cup

An integral component for the automatic freeze prevention control system for gutters and downspouts, the GIT®-1 Gutter Ice Sensor (Figure 1) is used in conjunction with either APS-3C or APS-4C Control Panels. Heaters operate only if moisture occurs at temperatures below 38°F (3.3°C), saving energy and ensuring reliable ice melting. Mounted in gutters and downspouts, the GIT-1 detects actual environmental conditions with improved sensing accuracy. Solid state moisture and temperature sensors provide the sensitivity required for effective automatic control.

## Gutters

1. Where it will detect initial snow and ice, position or lay sensor within 1/4"(6.4mm) of the gutter bottom. For applications not using the optional Moisture Sensor Cup (Figure 2; see its manual, P/n 23973), ensure moisture sensing grid (Figure 3) faces downstream (ambient air temperature sensor facing upstream) to avoid collecting debris against the grid. Avoid locations where puddling may occur. Sensor may be fastened to the fascia with the included mounting clamps, using #8 or #10 screws or bolts and standoffs as required (not furnished).

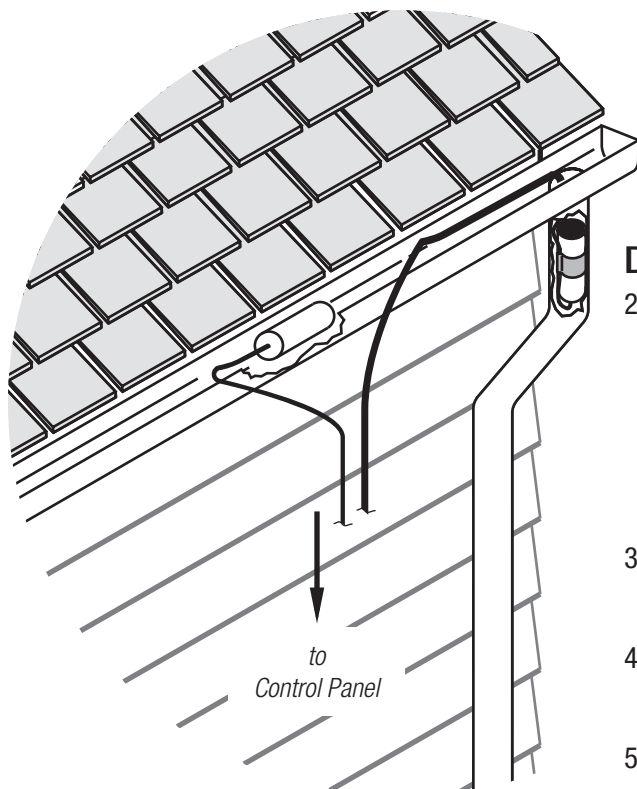


Figure 1.  
GIT-1 Gutter  
Icing Sensor

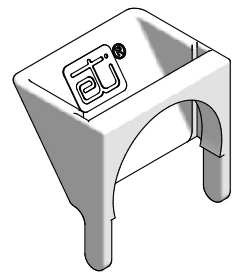
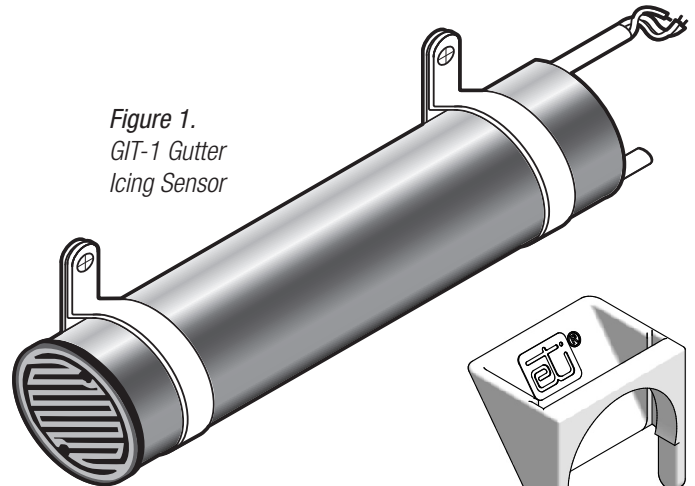


Figure 2. Optional  
Moisture Sensor Cup

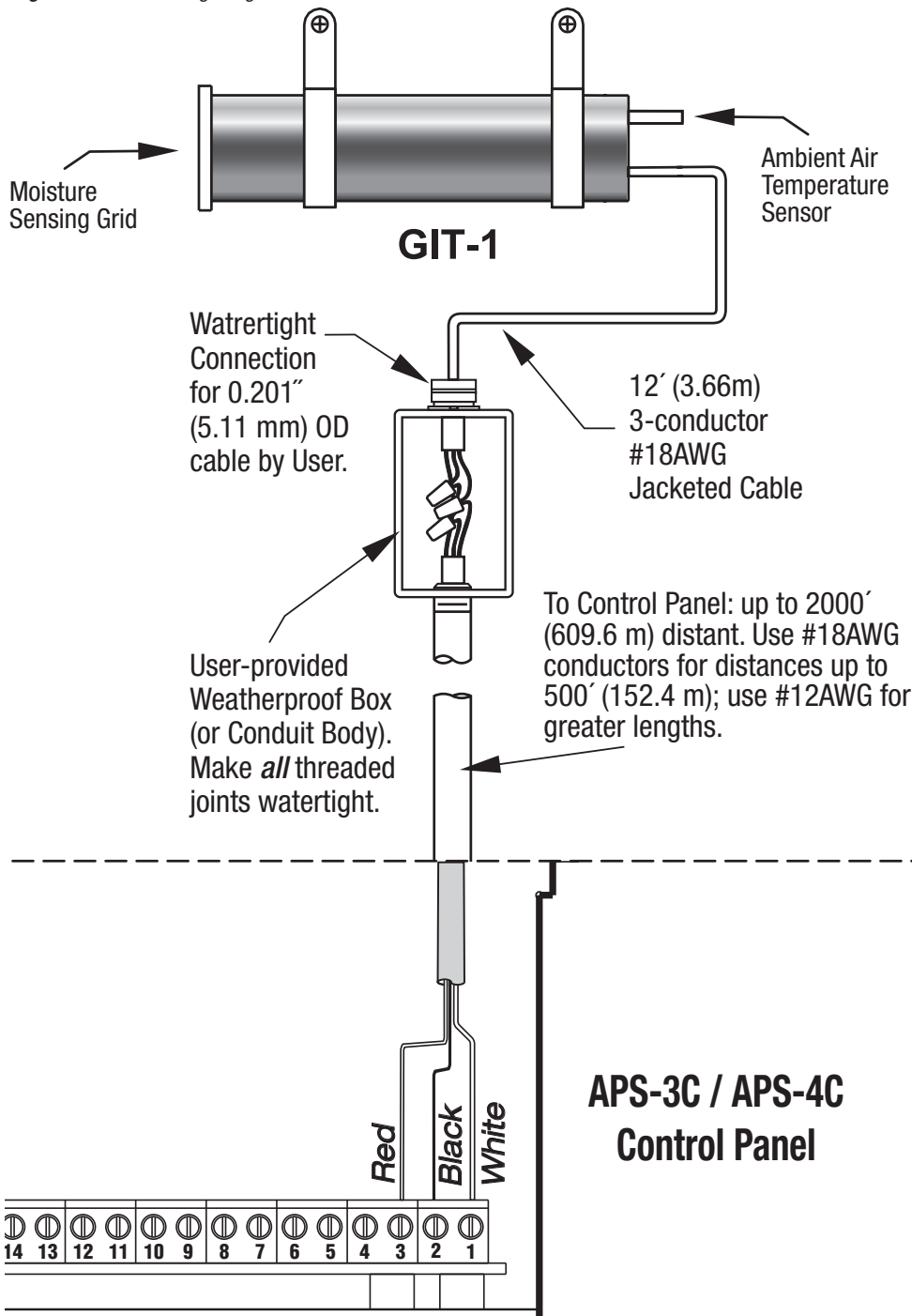
Figure 3.  
Moisture  
Sensing Grid



## Downspouts

2. Sensor may be mounted in downspout or on roof edges, positioned to ensure snow sensing. However, be certain to protect it from falling or shifting snow and ice masses. Fold cable back parallel to sensor body and secure with mounting clamps (or weatherproof tape). Suspend sensor in downspout with moisture sensing grid facing up (ambient temperature sensor facing down) as close to the downspout opening as possible.
3. Up to six (6) GIT-1 sensors may be wired in parallel to one control panel; any sensor will activate deicing. System will remain activated until ALL sensors are clear of ice, snow and water.
4. Debris collected against the sensor grid will degrade sensor performance. Locate sensor to avoid falling and blowing debris. Clean gutters before winter season to assure best operation.
5. To prevent corrosion during off-season months, maintain the power to the sensor to allow evaporation of moisture from the sensing grid.

Figure 4. GIT-1 Wiring Diagram.



Install in accordance with the requirements of all applicable electrical and building codes and regulations. Ensure that all conduit/cable terminations are watertight.

**QUESTIONS or COMMENTS**

For technical help, questions or comments concerning this or any Environmental Technology, Inc. product, contact the Customer Service Department between 8:00 a.m. and 5:00 p.m. EST.

**Voice**  
 (800) 234-4239 (USA and Canada) or  
 (574) 233-1202 (elsewhere)  
**Fax**  
 (888) 234-4238 (USA and Canada) or  
 (574) 233-2152 (elsewhere)  
**E-mail**  
 helpdesk@networketi.com

**LIMITED WARRANTY**

ETI's two year limited warranty covering defects in workmanship and materials applies. Contact Customer Service for complete warranty information.

**DISCLAIMER**

Environmental Technology, Inc. makes no representations or warranties, either expressed or implied, with respect to the contents of this publication or the products that it describes, and specifically disclaims any implied warranties of merchantability or fitness for any particular purpose. Environmental Technology, Inc. reserves the right to revise this publication, and to make changes and improvements to the products described in this publication, without the obligation of Environmental Technology, Inc. to notify any person or organization of such revisions, changes or improvements.

No part of this manual may be reproduced or translated in any form or by any means, electronic or mechanical including photocopying and recording, for any purpose without the express written consent of Environmental Technology, Inc.

The ETI logo and We Manage Heat are registered trademarks of Environmental Technology, Inc. Copyright © 2013 Environmental Technology, Inc. All rights reserved.