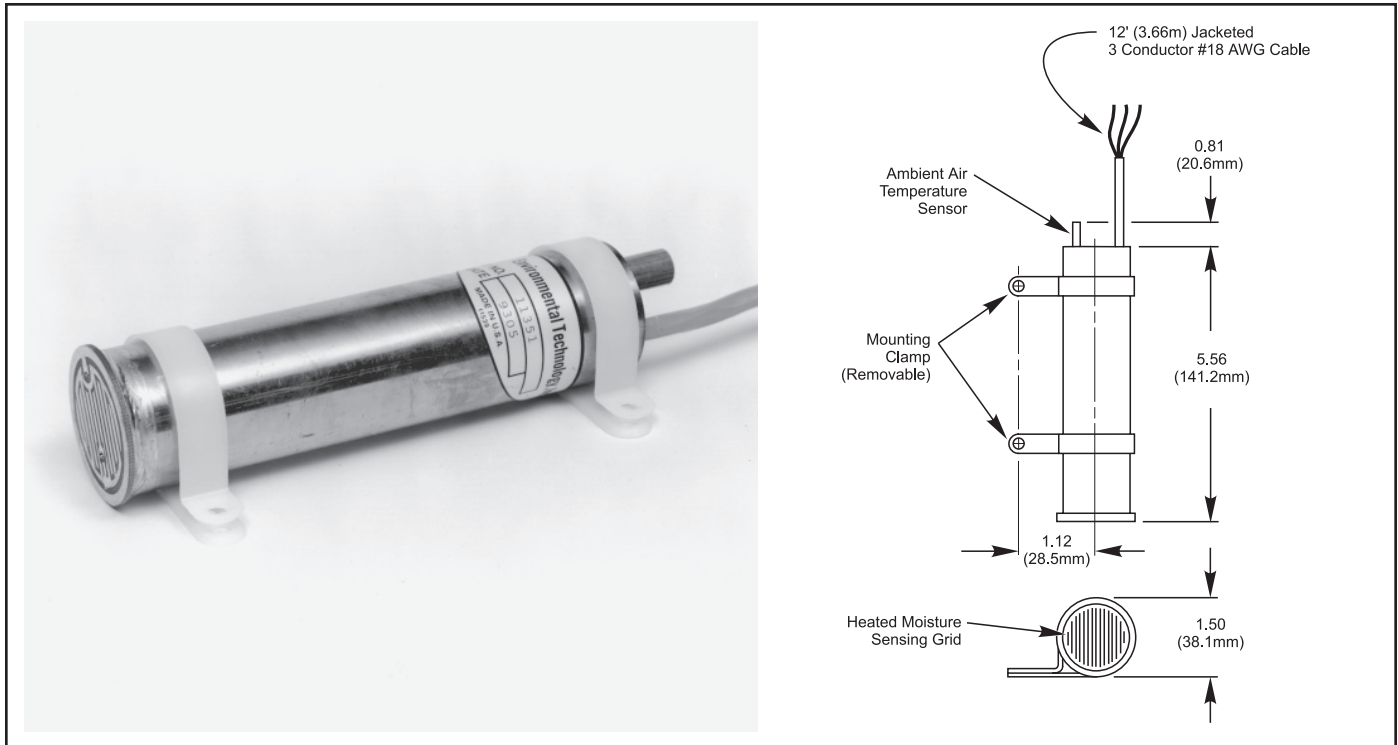


FEATURES & BENEFITS

- Reduces operating cost
- Reliable automatic deicing control
- Senses both moisture and temperature
- Gutter-mounted for accuracy
- Avoids ice bridging
- Rugged housing
- Simple low cost installation
- Field proven reliability



DESCRIPTION

An automatic control system for gutters and downspouts, employs one or more GIT-1 Gutter Ice Sensors and either APS-3C or APS-4C Control Panel. Heaters operate only if moisture occurs at temperatures below 38°F (3.3°C), thus saving energy and ensuring reliable ice melting.

Since the GIT-1 mounts in gutters and downspouts it senses actual environmental conditions. This improves sensing accuracy. Solid state moisture

and temperature sensors provide the sensitivity required for effective automatic control.

Ice bridging occurs if incomplete melting occurs near the heater or sensor leaving an air space. The air insulates thus preventing effective heater and sensor operation. The GIT-1's unique microcontroller design frees its moisture sensor from ice bridging. Additional features prevent heater operation under conditions favorable to heater ice tunneling.

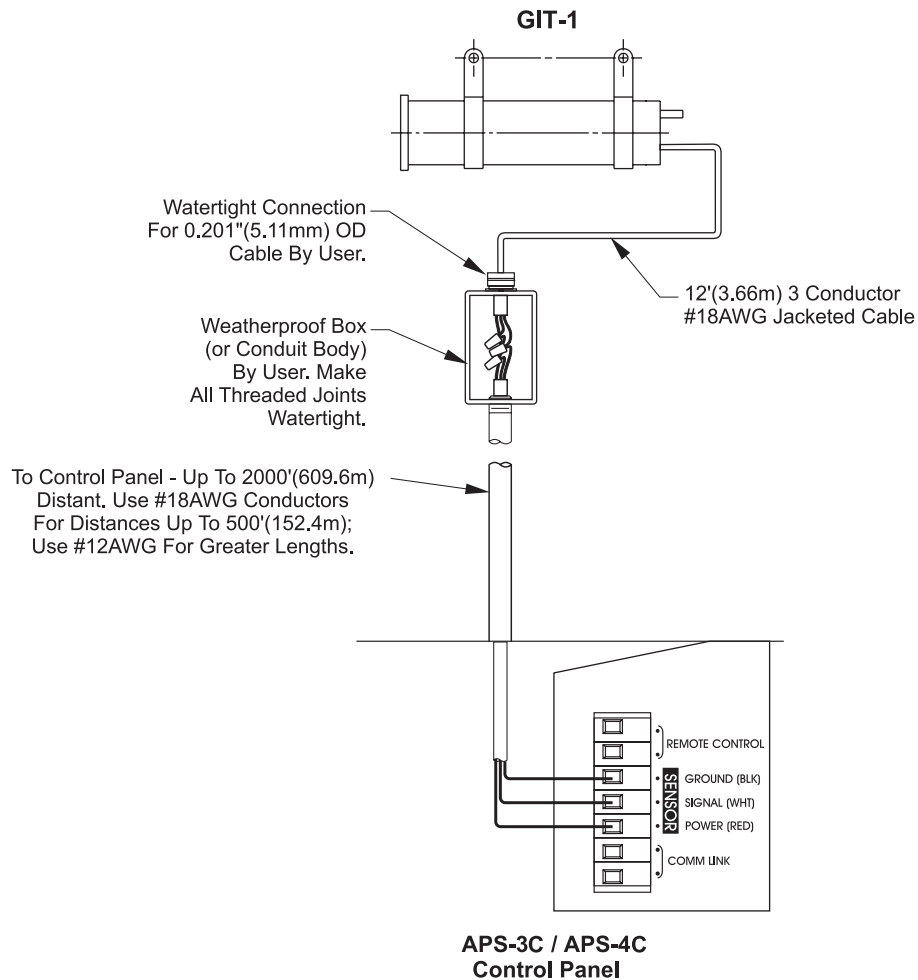
Low voltage operation simplifies installation. Sensors can be located up to 2,000' (609.6m) away from the control panel.

For complete information describing its application, installation and features, please contact Customer Service or check on the web at www.networketi.com.

INSTALLATION

Gutters: Position sensor within 1/4" (6.4mm) of gutter bottom with moisture sensing grid facing downstream (ambient air temperature sensor facing upstream). Sensor may be fastened to the fascia using the mounting clamps and gasketed screws (not furnished).

Downspouts: Fold cable back parallel to sensor body and secure with mounting clamps. Suspend sensor in downspout with moisture sensing grid facing up (ambient air temperature sensor facing down).



ORDERING INFORMATION

Order Number	Description
11351	GIT-1 Gutter Ice Sensor

LIMITED WARRANTY

ETI's two year limited warranty covering defects in workmanship and materials applies. Contact Customer Service for complete warranty information.

DISCLAIMER

Environmental Technology, Inc. makes no representations or warranties, either expressed or implied, with respect to the contents of this publication or the products that it describes, and **specifically disclaims any implied warranties of merchantability or fitness for any particular purpose.** Environmental Technology, Inc. reserves the right to revise this publication, and to make changes and improvements to the products described in this publication, without the obligation of Environmental Technology, Inc. to notify any person or organization of such revisions, changes or improvements.