



STANDARDS

The Philmac 3G™ ID Series range of compression fittings are CSA and NSF approved for potable water use.



ID Series fittings for IPS Inside Dimensioned (SIDR) PE Pipe (suits PE to ASTM D2239)

3G™ ID Series compression fittings represent the next generation of Philmac fittings for ID Series pipe.

Offering complete flexibility, this one fitting connects to all types of ID Series pipe, thereby eliminating the need to carry dedicated fittings.

Installation is easy with a simple to use insert assembly, and the fitting allows for straightforward disconnection and reconnection.

Importantly, the fitting has been manufactured from high performance, advanced thermoplastic materials so it is resistant to corrosion and has the strength and durability to provide a 50+ year service life.

The 3G™ ID Series plastic compression fitting is the product of Philmac's unrelenting commitment to continuous improvement and a culture based on innovation and ingenuity.

3G™ BENEFITS

Flexibility

- **Universal fitting:** The 3G™ ID Series compression fitting connects to all types of ID series pipe (75, 100, 125, 160 and 200). There is no need for dedicated fittings for different pipe so you can be sure you will always have the right fitting for the job.

Fast and easy installation

- **Insert assembly:** Installation involving double-ended products is made easy with 3G™ ID Series compression fittings, as the installer can simply hammer the insert in separately to each end of the pipe. This is far easier than other fittings which involve difficult manipulation of the barb assembly at one end of the connection.
- **Easy disassembly:** The 3G™ ID Series compression fitting enables the joint to be easily disconnected and reconnected. Simply by loosening the nut and taking the insert out of the body of the fitting, the pipe can be freed. This is a real advantage when the pipe is connected to a pump or other piece of equipment which may require relocation or disconnection.

Complete security

- **Approvals:** Philmac 3G™ compression fittings are CSA and NSF approved for potable water use.

High performance

- **Made from advanced thermoplastic materials:** 3G™ ID Series compression fittings are manufactured from lightweight high performance thermoplastic materials which, unlike metal fittings, resist corrosion, therefore significantly minimizing maintenance, repairs and long-term costs. The materials are non-toxic and taint-free and also offer outstanding impact, UV and chemical resistance.
- **Rated to 230psi:** 3G™ compression fittings are pressure rated to 230psi to meet the needs of high pressure systems.
- **50 year+ design life:** Built to withstand the toughest conditions to ensure longevity and durability, 3G™ compression fittings have a 50 year+ design life.

Complete coverage

- **Wide range:** The new 3G™ compression fitting range is comprehensive and includes straight and reducing couplers, tees, elbows, male and female adapters and caps ranging from ½" to 2".

ID SERIES INSTALLATION INSTRUCTIONS



1. Cut Pipe Square

Cut the pipe square. There is no need to prepare the pipe end. Chamfering or lubrication is not required.



2. Remove Nut Components

Take nut off body of fitting and remove collet.



3. Place Nut Components on Pipe

Place nut and then collet on the pipe. Ensure the collet is placed with taper facing towards the nut.



4. Place Insert in Pipe

Remove the insert from the fitting and then place in end of pipe.



5. Insert Fully Installed

Tap insert fully (up to the shoulder of the insert) into the pipe using a flat object.



6. Push Insert into Body of Fitting

Push pipe with insert and seal ring assembly into the end of the central fitting. Ensure the seal ring is correctly positioned on the insert.



7. Position Collet and Nut

Slide collet up to insert shoulder and then engage nut on body of fitting and tighten by hand.



8. Tighten Nut with a Wrench

The nut must then be tightened with a wrench.

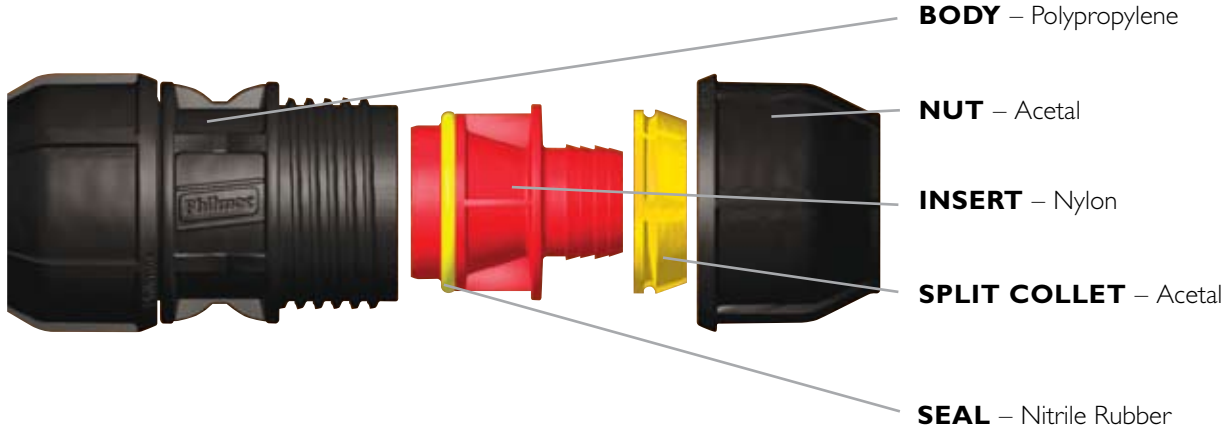


9. Fully Installed

The fitting is fully installed when the nut cannot be tightened further with reasonable force.

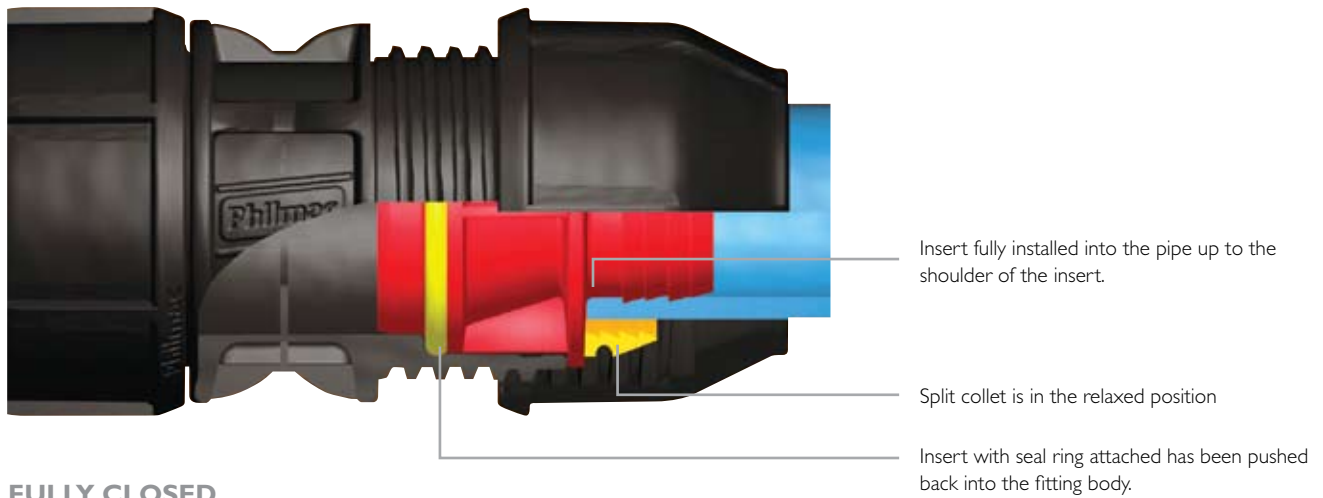
Note: Philmac recommends the use of PTFE tape on NPT threads to ensure a positive seal.

MATERIALS & COMPONENTS



PRINCIPALS OF OPERATION

FULLY OPEN



FULLY CLOSED

