



SRHC-ES End Seal Kit

For use with Dekoron 2700 and 2300 Families of Heating Cables in Ordinary and Division 2 Locations

Installation Instructions

Kit Description

The Dekoron® SRHC-ES end seal kit distributed by Heat-Line is used for making the end seal termination for Dekoron 2700 and 2300 Family of Heating Cables.

Tools Required

- Flat-head screwdriver
- Diagonal cutting pliers
- Utility knife or razor blade
- Phillips screwdriver
- Barrel crimp tool

Approvals



Non-Hazardous Locations

Hazardous Locations

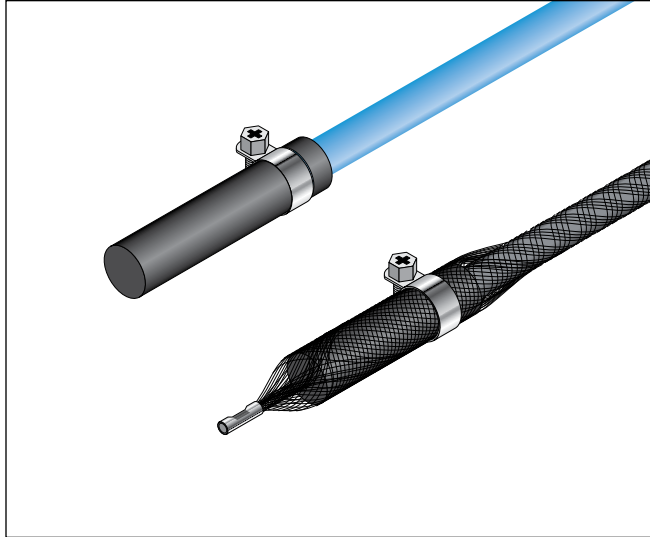
- Class I, Div. 2, Group A, B, C, D
- Class II, Div. 2, Group E, F
- Class III, Div. 2



Non-Hazardous Locations

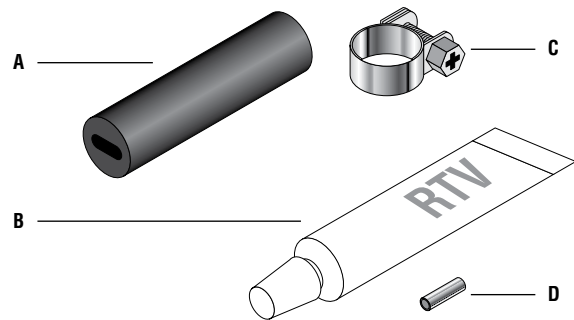
Hazardous Locations

- Class I, Div. 2, Group B, C, D
- Class II, Div. 2, Group F, G
- Class III



Kit Parts

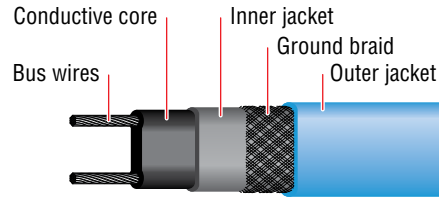
Item	Qty	Description
A	1	End Cap
B	1	RTV Sealant
C	1	Clamp
D	1	Barrel Crimp



⚠ WARNING:

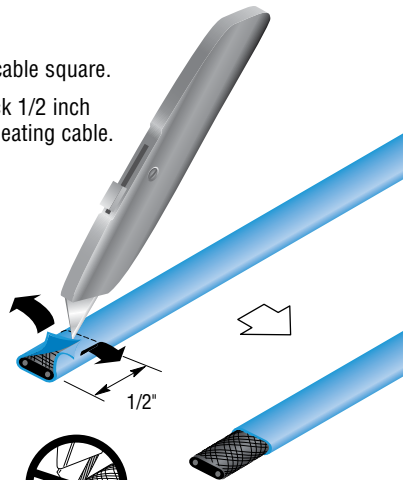
- **The Canadian Electrical Code and National Electric Code requires ground fault protection of equipment for each branch circuit supplying electrical heating cables or devices.**
- If the heating cable has a stainless steel ground braid, the following caution applies: The metal covering shall not be used as the bonding-to-ground means. Alternative means of protection shall be provided per CE Code part I.
- For cable installed in outdoor or wet indoor locations, use a suitable weather proofing cover (such as aluminum jacketing) to protect the thermal insulation.
- After thermal insulation is complete the insulation resistance of the entire branch circuit should not be less than 10M ohms.
- Ground metal structures used for support or on which the cable is installed in accordance with CE Code part 1, Section 10.
- Install cable at -22°F (-30°C) or above.
- Do not install heater closer than 1/2 inch to any exposed combustible surface, unless the cable has a metal shield or sheath and is provided with a positive temperature control which will limit the surface temperature to a value not exceeding 162°F (72°C).
- Minimum bending radius for heating cable is 1/4 inch.

End Seal Installation Instructions Heating Cable with Ground Braid and Outer Jacket



1

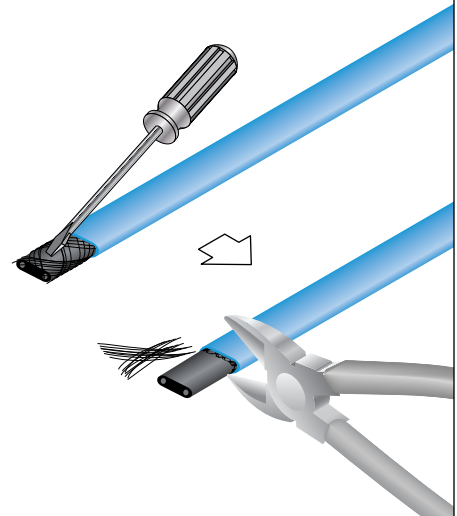
- Trim end of heating cable square.
- Strip outer jacket back 1/2 inch from the end of the heating cable.



**Do Not Cut or Damage
Ground Braid or Inner Jacket**

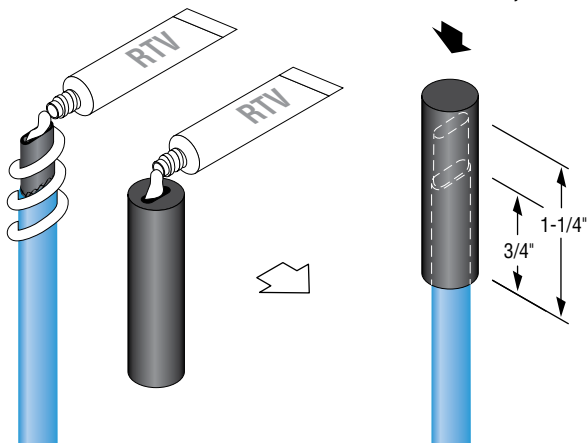
2

- Unravel and trim ground braid to within 1/2 inch of the heating cable end, even with outer jacket.



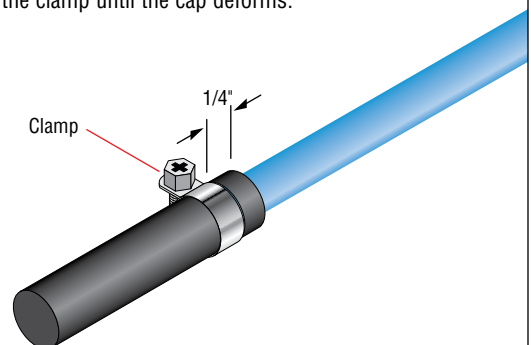
3

- Apply RTV sealant over 1 inch of the heater end and into the end cap.
- Slide end cap over the heating cable. Make sure 1-1/4 inches of the heater goes into the end cap, including 3/4 inch of the outer jacket.

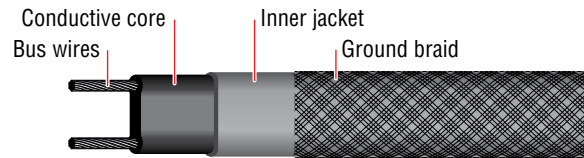


4

- Slide the clamp over the end cap and position it 1/4 inch from the heater entrance point. (Note: the screw may have to be completely removed in order to get the clamp over the cap, and then reinstalled.)
- Tighten the clamp until the cap deforms.

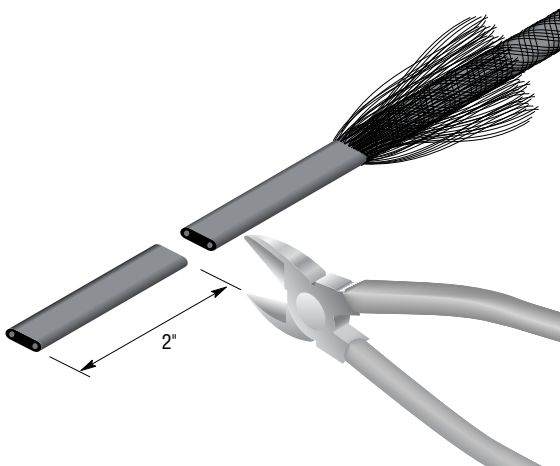


End Seal Installation Instructions Heating Cable with Ground Braid Only



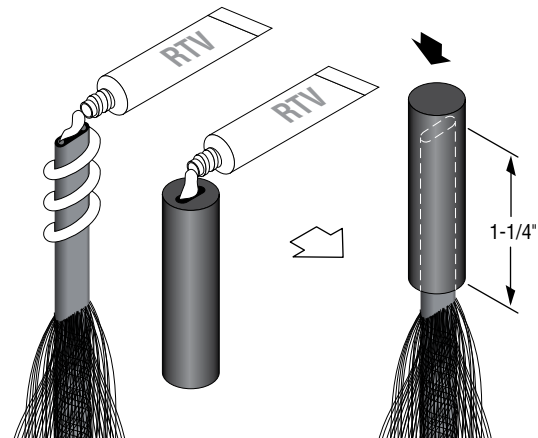
1

- Peel back approximately 4 inches of ground braid.
- Cut off 2 inches of the exposed heater.



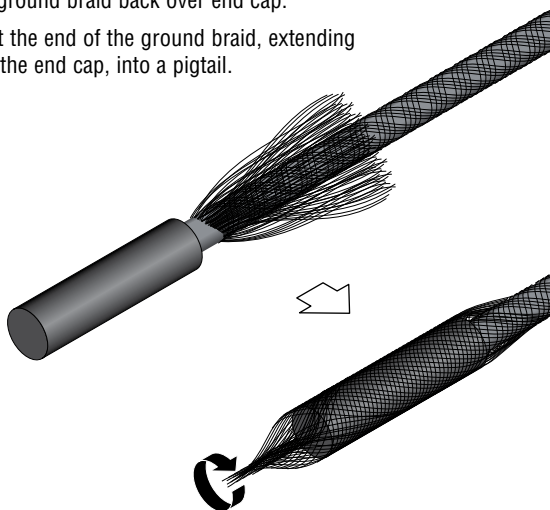
2

- Apply RTV sealant over 1 inch of the heater end and into the end cap.
- Slide end cap over the heating cable. Make sure 1-1/4 inches of the heater goes into the end cap.



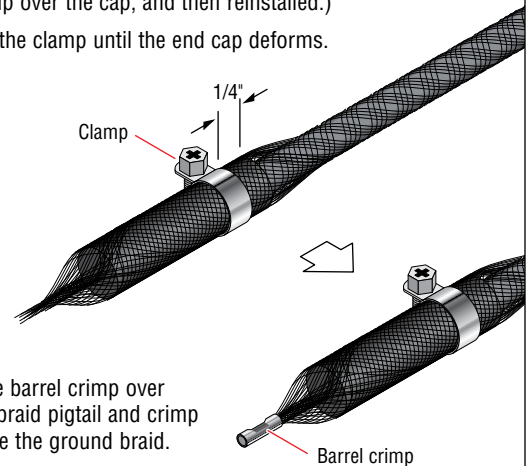
3

- Pull ground braid back over end cap.
- Twist the end of the ground braid, extending past the end cap, into a pigtail.



4

- Slide the clamp over the end cap and ground braid and position it 1/4 inch from the heating cable entrance point. (Note: the screw may have to be completely removed in order to get the clamp over the cap, and then reinstalled.)
- Tighten the clamp until the end cap deforms.



- Slide the barrel crimp over ground braid pigtail and crimp to secure the ground braid.

Heat-Line
A Division of Christopher MacLean Ltd.
1095 Green Lake Road
Carnarvon, ON
Canada K0M 1J0
Tel: (705) 754-4545
(800) 584-4944
Fax: (705) 754-4567
info@heatline.com
www.heatline.com

Heat-Line is a trademark of Heat-Line Corporation. All other trademarks are the property of their respective owners.

Important: All information, including illustrations, is believed to be reliable. Users, however, should independently evaluate the suitability of each product for their particular application. Heat-Line a Division of Christopher MacLean Ltd. makes no warranties as to the accuracy or completeness of the information, and disclaims any liability regarding its use. Heat-Line's only obligations are those in the Heat-Line Standard Terms and Conditions of Sale for this product, and in no case will Heat-Line be liable for any incidental, indirect, or consequential damages arising from the sale, resale, use, or misuse of the product. Specifications are subject to change without notice. Heat-Line reserves the right to make changes —without notification to Buyer—to processing or materials that do not affect compliance with any applicable specification. All heating cable products and or accessories presented in this document are distributed through Heat-Line a division of Christopher MacLean Limited in accordance with Heat Trace Products, LLC, the manufacturer.