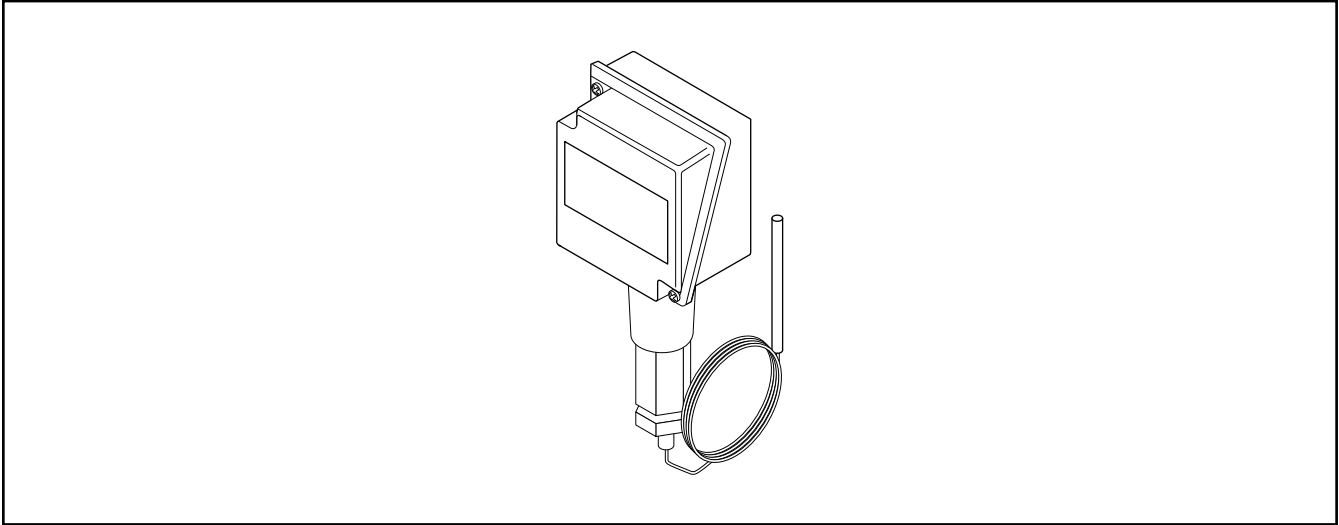




1660-13A11

Line Sensing Thermostat



Description

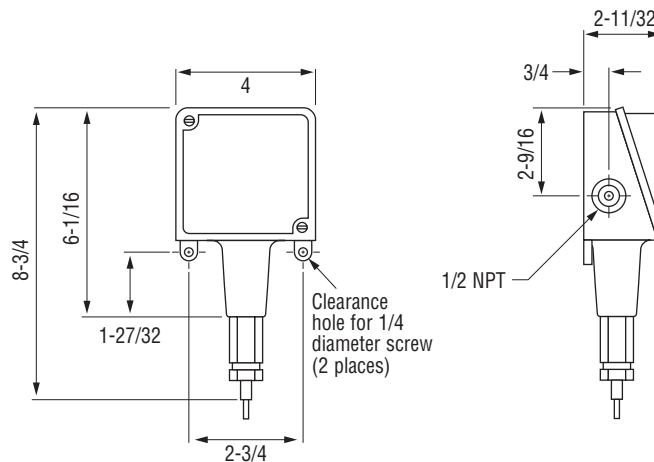
The 1660-13A11 thermostat is a watertight, dust tight and corrosion resistant temperature control in a lightweight die cast enclosure with an internal calibrated reference dial and tamper-proof adjustment for outdoor or indoor locations. The liquid-filled thermal system, with its stainless steel bulb and capillary, provides a very dependable and accurate control system.

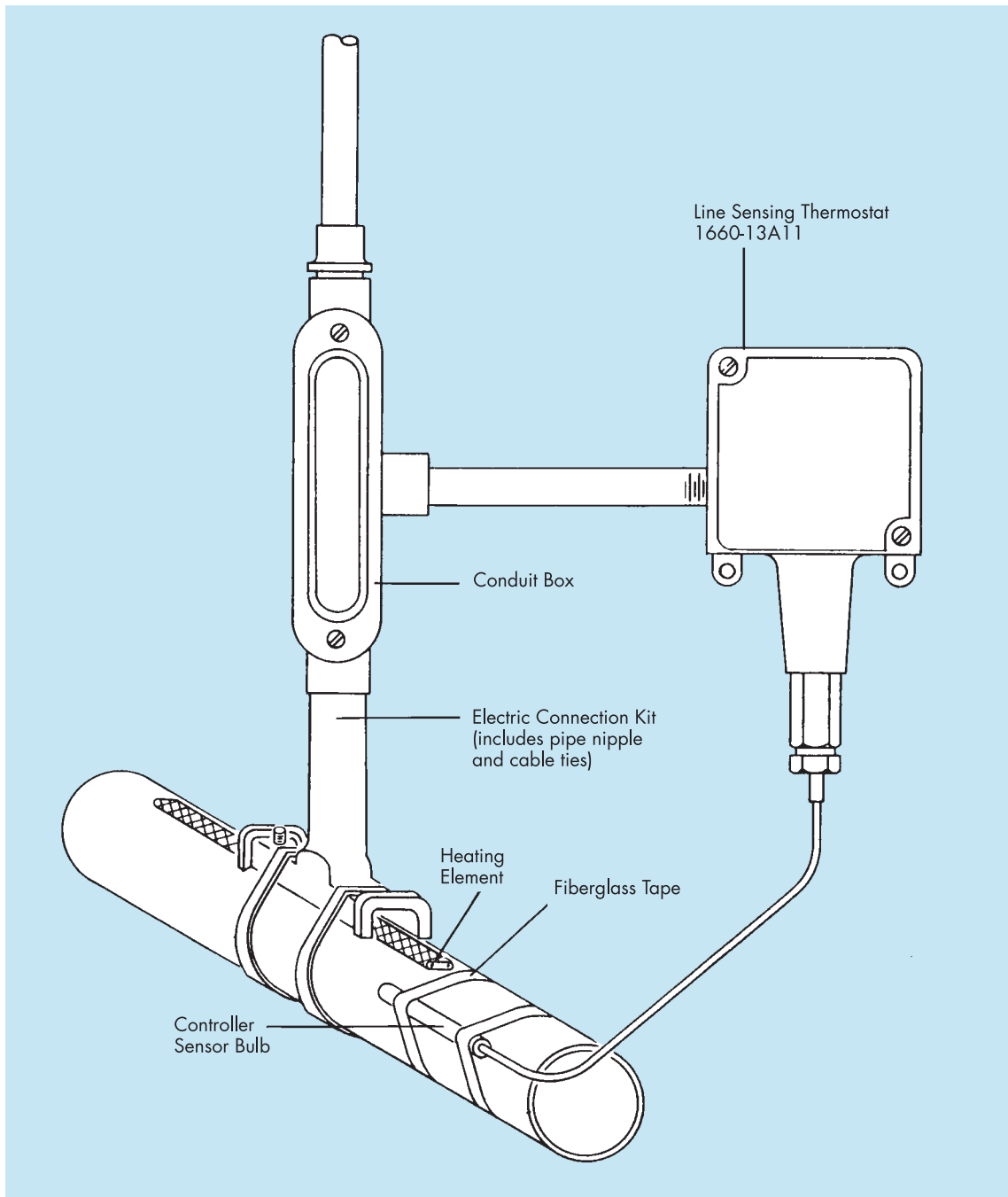
Wiring

For heater control, low alarm (close on falling temperature) use COM and NC. For high alarm (close on rising temperature) use COM and NO.

Specifications

Enclosure	Die cast aluminum with polyamid epoxy coating, NEMA 4X; water-tight, dust tight and corrosion resistant
Connection	Screw terminals on switch through 1/2-NPT hub
Switch	SPDT UL listed with internal calibrated reference dial and tamper-proof adjustment
Rating	22 amps at 480 Vac
Range	25° – 325°F
Sensor	10 Ft. 304 SS capillary with 1/8" SS bulb
Approval	UL listed/CSA certified
Accuracy	1% of adjustment range





Heat-Line is a trademark of Heat-Line Corporation. All other trademarks are the property of their respective owners.

Heat-Line
A division of Christopher MacLean Ltd.
 1095 Green Lake Road
 Algonquin Highlands, ON Canada
 K0M 1J1
 Tel: (705) 754-4545
 (800) 584-4944
 Fax: (705) 754-4567
 info@heatline.com
 www.heatline.com

Important: All information, including illustrations, is believed to be reliable. Users, however, should independently evaluate the suitability of each product for their particular application. Heat-Line a Division of Christopher MacLean Ltd. makes no warranties as to the accuracy or completeness of the information, and disclaims any liability regarding its use. Heat-Line's only obligations are those in the Heat-Line Standard Terms and Conditions of Sale for this product, and in no case will Heat-Line be liable for any incidental, indirect, or consequential damages arising from the sale, resale, use, or misuse of the product. Specifications are subject to change without notice. Heat-Line reserves the right to make changes —without notification to Buyer—to processing or materials that do not affect compliance with any applicable specification. All heating cable products and or accessories presented in this document are distributed through Heat-Line a division of Christopher MacLean Limited in accordance with Heat Trace Products, LLC, the manufacturer.